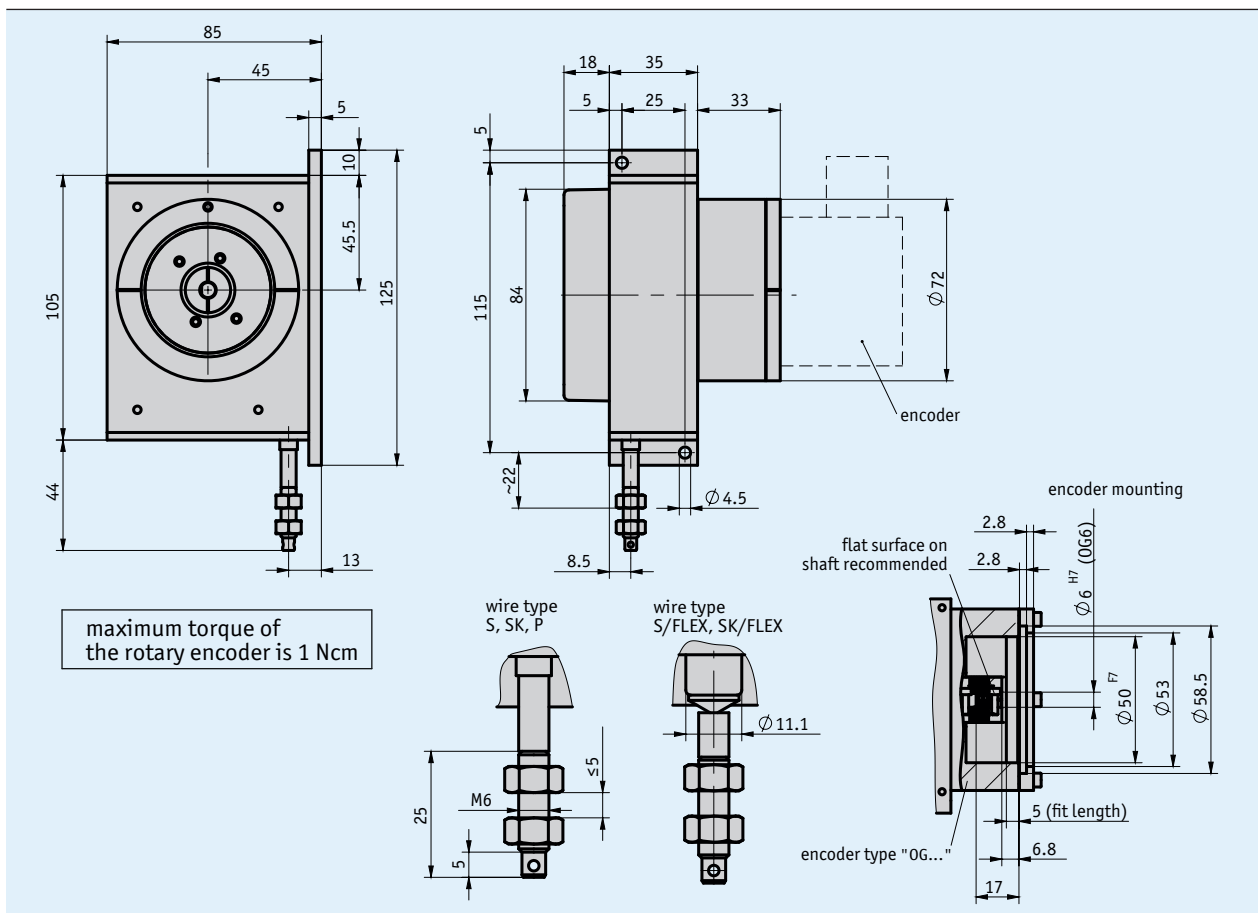


Profile

- Robust design
- Easy mounting
- Measurement lengths up to max. 6000 mm
- Incremental or absolute encoder
- Housing made of aluminum and plastic
- High flexibility thanks to free choice of rotary encoders with 58 mm standard flange
- Various wire types



Mechanical data

Feature	Technical data	Additional information
Housing	aluminum/plastic	
Wire design	<ul style="list-style-type: none"> Ø0.54 mm Ø0.87 mm Ø1.05 mm 	<ul style="list-style-type: none"> steel wire steel wire, plastic coated para-line plastic rope
Extension force	≥8 N	on the wire
Measured distance/ rope drum revolution	200 mm	
Acceleration	≤23.5 m/s ²	
Weight	~0.6 kg	

Electric data

Rotary encoders suitable for the SG60 are featured in RotoLine catalogue 2. Depending on the output signals the following are suitable for:

- Analog outputs such as current or voltage: AV58M
- Incremental outputs: IV5800
- Absolute outputs: WV58MR, WV36M/SSI, WV36M/CAN

The technical specifications for these devices are given in the respective data sheets. A great number of transmitter versions of various manufacturers can also be used.

System data

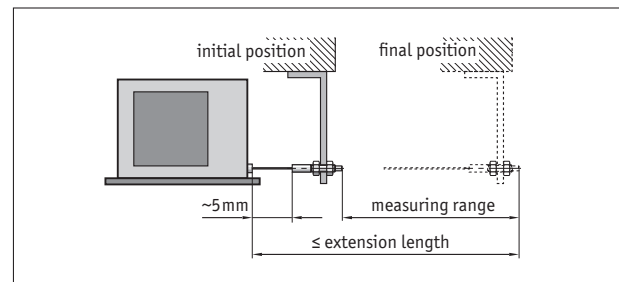
Feature	Technical data	Additional information
Repeat accuracy	±0.15 mm	depending on the direction of approach (1st layer)
Measuring range	≤6000 mm	
Travel speed	≤3000 mm/s	

Ambient conditions

Feature	Technical data	Additional information
Ambient temperature	-20 ... 80 °C	T1
	-40 ... 80 °C	T2 (drawing-in speed ≤800 mm/s)
Protection category		depending on the rotary encoder installed

Hint for mounting

When securing the wire it must be ensured that the wire is straight and vertical in relation to the wire outlet. Recommendation: Only select the starting position after an unwound length of approx. 5 mm. This prevents the wire hitting the end stop when it is rewound.



symbolic depiction

Order

Ordering information

One or more system components are required:

Incremental encoder IV5800
 Absolute encoder WV58MR
 Absolute encoder WV36M/SSI
 Absolute encoder WV36M/CAN

www.siko-global.com
www.siko-global.com
www.siko-global.com
www.siko-global.com

Ordering table

Feature	Ordering data	Specification	Additional information
Measuring range	... A	1000 ... 6000 mm, in steps of 100 mm	
Wire design	S	stainless steel rope	measuring range ≤ 6000 mm
	SK	stainless steel rope, plastic-coated	measuring range ≤ 4000 mm
	P	para-line, non-conducting, signal color	measuring range ≤ 2800 mm
	S/FLEX	stainless steel rope, flexible rope outlet	measuring range ≤ 6000 mm
Operating temperature	T1	-20 ... +80 °C	
	T2	-40 ... +80 °C	≤ feed speed 800 mm/s
Color	N	natural, anodized	
	D	others on request	

Order key



Scope of delivery: SG60

Accessories:

Guide roller UR
 Wire extension piece SV

www.siko-global.com
www.siko-global.com