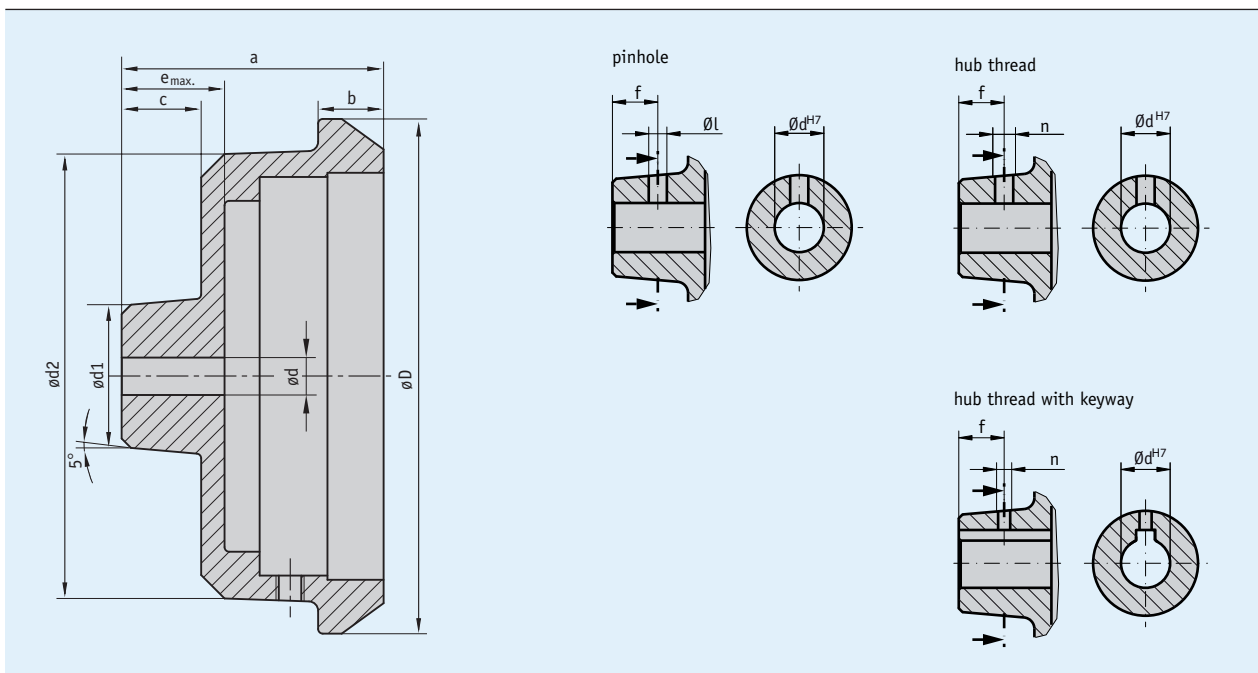


Profile

- Plastic-coated or bright-finished surface
- Various hub versions



Mechanical data

Feature	Technical data	Additional information
Material	aluminum	
Weight	0.5 kg	HST11

Table of dimensions

Type	ØD	Ødv	Ødx	Ød1	Ød2	a	b	c	e	Suitable for
HST11	110	6.8	16	30	95	56	14	17	22	S80/1; SZ80/1

Ødv = d prebored; Ødx = d max.

Handwheel typ	HST11				
Bore dH7	7, 8	9, 10	11, 12	13 ... 15	16
Groove width with keyway JS9		3	4	5	5
Pin hole	3.8/12	3.8/12	3.8/12	4.8/12	4.8/12
Hub thread without keyway JS9	M4/12	M4/12	M4/12	M6/12	M6/12
Hub thread with keyway JS9		M3/12	M3/12	M4/12	

Texts highlighted in orange color are ordering features

Order

Ordering information

One or more system components are required:

Analog position indicator S80/1
Analog position indicator SZ80/1

www.siko-global.com
www.siko-global.com

Ordering table

Feature	Ordering data	Specification	Additional information	
Surface	B	A unpainted		
	CS		plastic-coated, black matt	
			others on request	
Bore diameter	6.8	B prebored		
	...		07 ... 18 mm, in steps of 1 mm	see Table of dimensions, maximum value ødx
Feather key groove	OP	C without keyway		
	JS9		light seat	according to DIN 6885/1 T1
	P9		tight fit	according to DIN 6885/1 T1
Pinhole	OS	D without pin hole		
	...		diameter "øl"/measure "f" (e.g. 3.8/12)	see table Special processing, depending on the handwheel type, only if keyway is "OP", only if hub thread is "ONG"
			others on request	
Hub thread	ONG	E without hub thread		
	...		thread "n"/measure "f" (e.g. M4/12)	see table Special processing, depending on the handwheel type, only if pin hole is "OS"
			others on request	
Tapered hub	OAN	F without turned hub		
			others on request	
Position indicator	PM	G position indicator mounted	separate ordering of a position indicator required!	
	PS		position indicator separate	separate ordering of a position indicator required!

Order key

HST11 - - - - - - -

A B C D E F G

Scope of delivery: HST11

Accessories you can find:
End Plate AD

www.siko-global.com