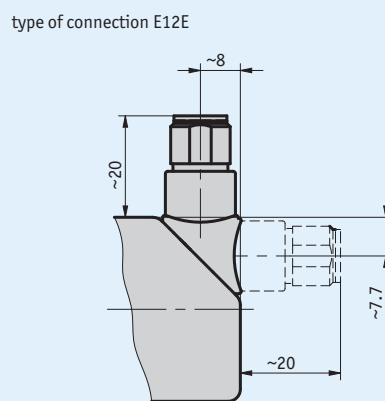
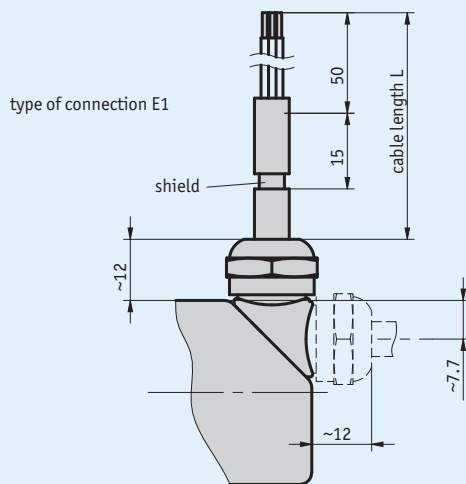
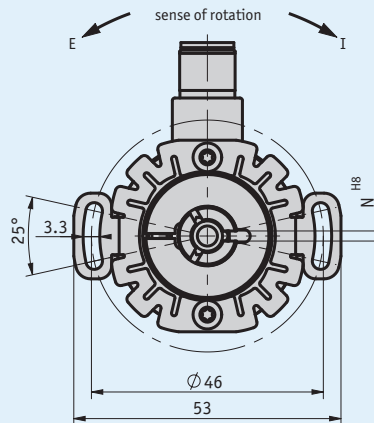
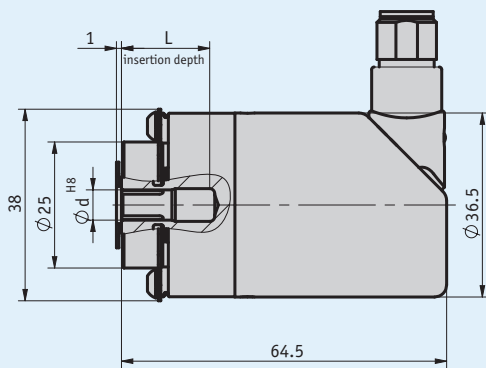
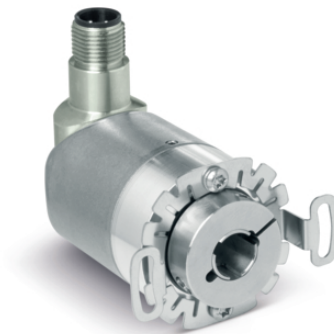


Profile

- Smallest safety multiturn rotary encoder for mobile machines
- Single turn or multiturn variant available
- SIL2 (IEC 61508) PLd (DIN EN ISO 13849) certified (in preparation)
- E1 approval by the German Federal Motor Transport Authority (KBA) pending
- Extremely compact and very robust design
- Protection class up to IP6K9K
- With PURE.MOBILE technology



shaft design	ød	L	N
N2/6	6	≤ 18	2
N2/8	8	≤ 18	2
N3/10	10	≤ 20	3

Mechanical data

Feature	Technical data	Additional information
Shaft	rustproof stainless steel	
Flange	aluminum	
Housing	rustproof stainless steel	
Speed	≤3000 rpm	
Moment of inertia	<29 gcm ²	
Shaft load rating	≤40 N	radial
	≤20 N	axial

Electrical data

Feature	Technical data	Additional information
Operating voltage	8 ... 36 V DC	reverse-polarity protected
Power input	≤1 W	at 36 V, without load
Parameter storage	10 ⁵ cycles	also applies to calibration operations
Status display	1x two-color LEDs (red/green)	device / CAN status
Power rating	±36 V	CAN interface
Interface	according to ISO 11898-1, not electrically isolated	CANopen Safety
Address	1 ... 127	CANopen Safety
Baud rate	20 kbit/s	CANopen Safety
	50 kbit/s	CANopen Safety
	125 kbit/s	CANopen Safety
	250 kbit/s	CANopen Safety
	500 kbit/s	CANopen Safety
	800 kbit/s	CANopen Safety
	1 Mbit/s	CANopen Safety
Cycle time	<10 ms	
Starting time	<1000 ms	
Parameter	according to CiA 301, CiA 303 Part 3, CiA 305, CiA 406 EN 50325-5	CANopen Safety
Type of connection	1x M12 connector (A-coded) open cable end	5-pole, 1x pin (E12E connection type) stranded wire cross-section 0.5 mm ² (E1 connection type)

System data

Feature	Technical data	Additional information
Scanning	magnetic	
Resolution	14 bit	singleturn, 16384 steps/rotation
Measuring range	1 rotation	singleturn
	4096 rotations	12 bit
	65536 rotations	16 bit

Ambient conditions

Feature	Technical data	Additional information
Ambient temperature	-40 ... +85 °C	
Storage temperature	-40 ... +85 °C	
Relative humidity	100 %	condensation permitted
Protection category	IP67, IP6K9K	EN 60529, ISO 20653, installed according to assembly instructions and with suitable mating connector
Salt spray test	severity level 3	EN 60068-2-52

Pin assignment

E12E

Signal	PIN
nc	1
+UB	2
GND	3
CAN_H	4
CAN_L	5

E1

Signal	Cable color E1
nc	white
+UB	brown
GND	green
CAN_H	yellow
CAN_L	gray

Order

Ordering table

Feature	Ordering data	Specification	Additional information
Interface/protocol	CANs J1939s	A CANOpen Safety SAE J1939 Safety	
Number of revolutions	1 4096 65536	B singleturn 12 bit 16 bit	
Hollow shaft/diameter	N2/6 N2/8 N3/10	C ø6 mm, form-fit keyway ø8 mm, form-fit keyway ø10 mm, form-fit keyway	
Position of electrical connection	A R	D axial radial	
Type of connection	E1 E12E	E open cable end bus IN	
Cable length	OK ...	F without cable 01.0, 02.0, 03.0, 05.0, 10.0 in m	only with type of connection E12E only with type of connection E1

Order key

WH3600MR - A - 16384 - B - C - DS1 - IP67 - D - E - F - S

Scope of delivery: WH3600MR, Quick Start Guide

Accessories:

Cable extension KV05S0

Mating Connector Overview

Mating connector, 5-pole, socket

Mating connector, 5-pole, angle socket

www.siko-global.com

www.siko-global.com

Order key 84109

Order key 83006