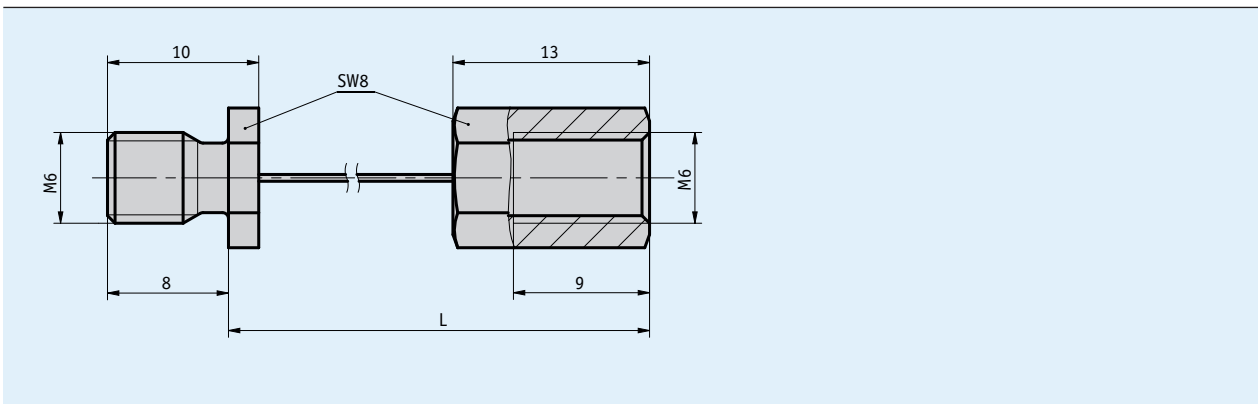


Profile

- for wire-actuated encoders in the SGH series
- for lengthening the measuring wire or the distance to the measuring object (the measuring path is not lengthened)
- Easy mounting



Mechanical data

Feature	Technical data	Additional information
Wire design	ø0.45 mm	Steel cable (stainless)

Order

Ordering table

Feature	Ordering data	Specification	Additional information
Wire length	... A	00.10 ... 10.00 in m	

Order key



Scope of delivery: SVH