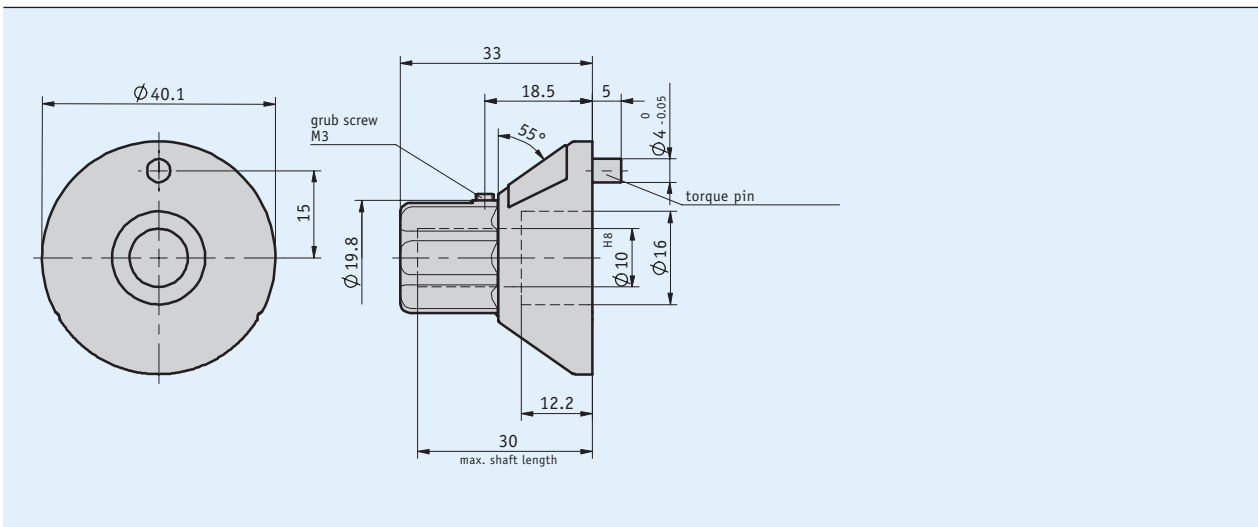


Profile

- Miniature control knob with analog display
- Shaft support: max. \varnothing 10 mm
- Use of normal scales or custom-designed displays
- Fine scaling as an option
- Free choice of mounting situation



Mechanical data

Feature	Technical data	Additional information
Housing	plastic	
Gear ratio	$i = 26$	
Weight	~ 0.016 kg	

Ambient conditions

Feature	Technical data	Additional information
Ambient temperature	0 ... 80 °C	

Order

Ordering table

Feature	Ordering data	Specification	Additional information
Bore/diameter	10 A	ø10 mm others on request	
Sense of rotation	i B	clockwise ascending values	
	e B	counter-clockwise ascending values	
Scale	N26 C	normal scale	customer-specific, no VK for first production
	VK.. C	special scale	
Multi-color scale	C1 D	1-colored	
	C2 D	2-colored	
	C3 D	3-colored	
Fine scaling	F100 E	print 0 ... 100	
	OF E	unprinted	

Order key



Scope of delivery: DKA02