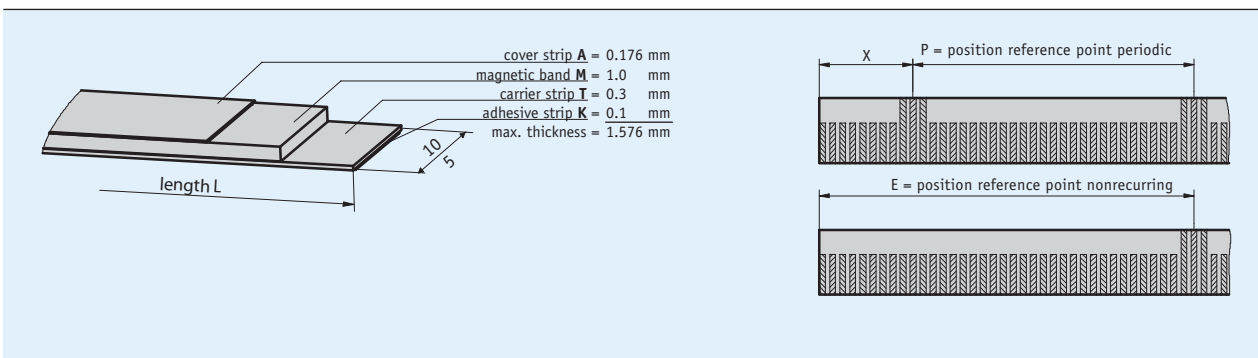
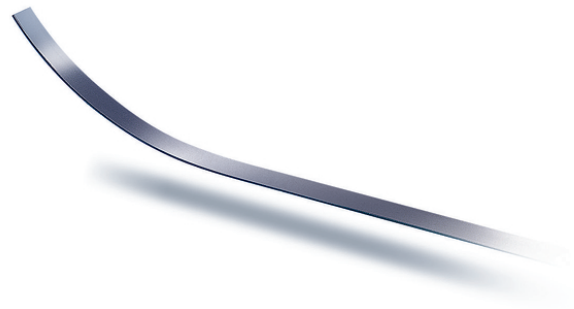


### Profile

- Easy adhesive mounting, self-assembly possible
- Reels up to 100 m available
- Linearity deviation up to  $\pm 35 \mu\text{m}$



### Mechanical data

Feature	Technical data	Additional information
Material	stainless steel	cover strip
Band width	10 mm or 5 mm	
Band thickness	1.4 mm	without cover strip
Mounting type	adhesive connection	premounted double-sided adhesive tape
Accuracy class	35 $\mu\text{m}$ or 50 $\mu\text{m}$	

### ■ Measurement table of reference points

Reference points [m]	
Fixed distance X	0.05
Periodic P	0.2, 0.3, 0.5
Onetime E	0.05, 0.1, 0.2, 0.5, 1, 2

### System data

Feature	Technical data	Additional information
Pole length	5 mm	
Linearity deviation	$\pm 35 \mu\text{m}$	at $T_U = 20^\circ \text{C}$
	$\pm 50 \mu\text{m}$	at $T_U = 20^\circ \text{C}$
Measuring range	$\infty$	

## Ambient conditions

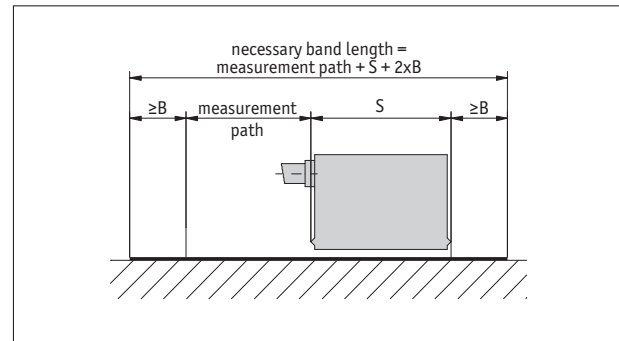
Feature	Technical data	Additional information
Ambient temperature	-20 ... 70 °C	
Storage temperature	-40 ... 70 °C	
Expansion coefficient	(11 ±1) × 10 <sup>-6</sup> /K (16 ±1) × 10 <sup>-6</sup> /K	spring steel stainless steel
Relative humidity	100 %	condensation admissible

## Order

### Ordering information

The necessary tape length is calculated from:  
Measured distance + sensor length "S" + (2 x forerun or overrun "B", resp.).

<b>S</b>	see the drawing of the sensor used
<b>B</b>	10 mm (forerun and overrun)



Symbolic representation

### Ordering table

Feature	Ordering data	Specification	Additional information
Length	... <b>A</b>	000.10 ... 100.00 m, in intervals of 0.1 m	ordering detail, see "Ordering information"
tapewidth	10/10 <b>B</b> 5 <b>B</b>	in mm in mm	
Accuracy class	50 <b>C</b> 35 <b>C</b>	50 µm 35 µm	
Material carrier tape	St <b>D</b> VA <b>D</b>	steel stainless steel	
Adhesive carrier tape	TM <b>E</b> TO <b>E</b>	with without	
Cover strip	AM <b>F</b> AO <b>F</b>	with without	stainless steel
Masking tape width	10.0 <b>G</b> 5.0 <b>G</b>	in mm in mm	
Reference point	0 <b>H</b> E <b>H</b> P <b>H</b>	without unique periodic	at width 10 mm optional with flexible reference mark, see accessories only with 10 mm width only with 10 mm width
Reference point position	... <b>I</b> ... <b>I</b>	0.05, 0.1, 0.2, 0.5, 1.0, 2.0 in m 0.2, 0.3, 0.5 in m others on request	indicate only if reference point E is chosen, ≤5.0 m indicate only if reference point P is chosen

### Order key

MB500/1 -  -  -  -  -  -  -  -  -  -

A B C D E F G H I

*Scope of delivery: MB500/1*

**Accessories:**

*Profile Rail PS*

*Protective band SB*

*Profile Rail PS1*

*Installation tool ZB3054*

*Flexible reference mark*

*[www.siko-global.com](http://www.siko-global.com)*

*[www.siko-global.com](http://www.siko-global.com)*

*[www.siko-global.com](http://www.siko-global.com)*

*[www.siko-global.com](http://www.siko-global.com)*

*Order key 88436*