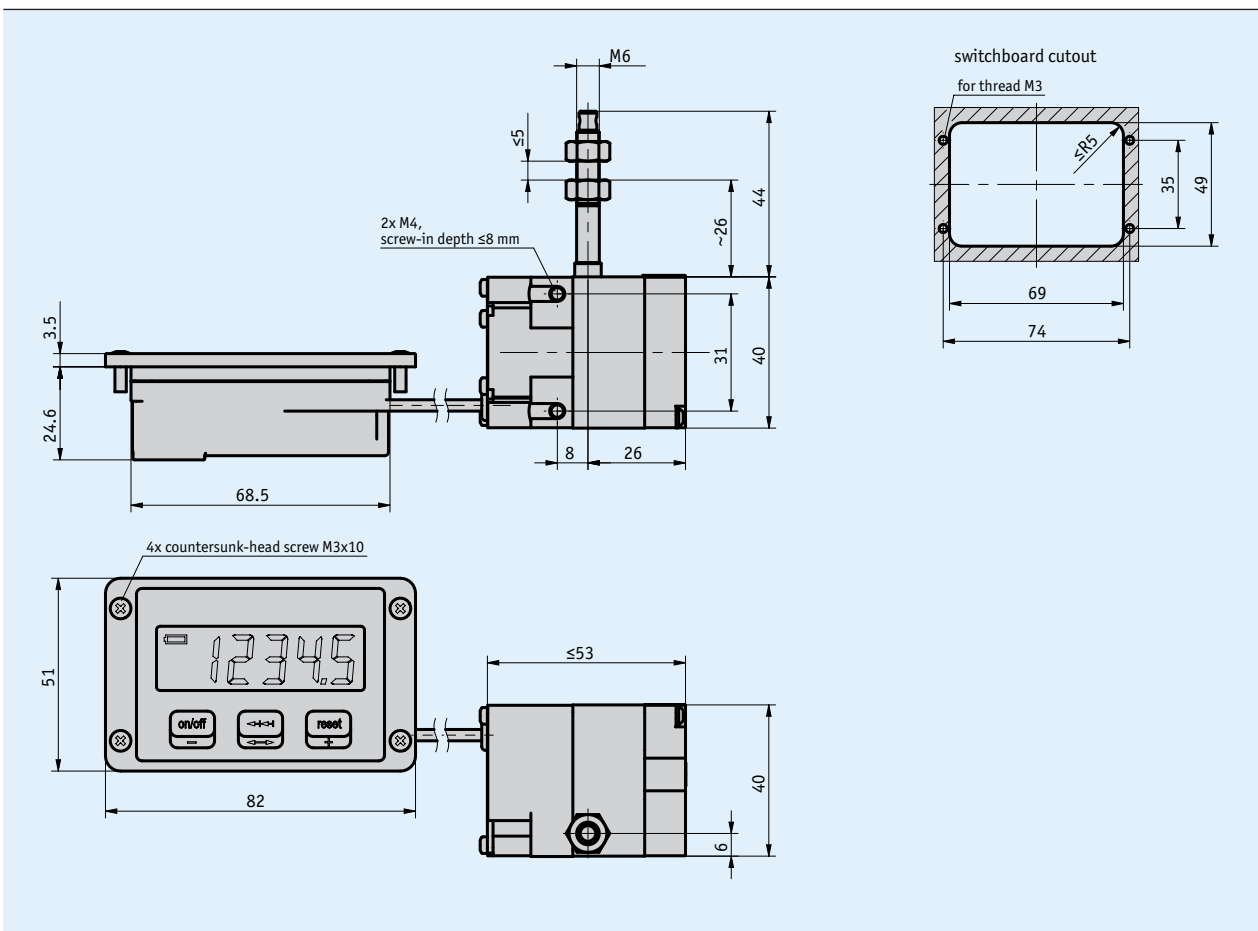


Profile

- Measurement lengths up to 2000 mm
- Resolution of 0.1 mm
- Maintenance-free backup battery
- Long battery life
- Easy mounting
- Compact design



Mechanical data

Feature	Technical data	Additional information
Housing	reinforced plastic	wire-actuated encoder
Housing design	built-in housing, zinc die-cast	measurement display
Wire design	$\varnothing 0.45$ mm	steel wire (stainless), plastic coated
Extension force	≥ 2 N	
Cable length	≤ 2 m	

Electrical data

Feature	Technical data	Additional information
Battery service life	<10 year(s) bei 20 % duty cycle	at $T_U = 20\text{ °C}$
	~9 year(s) at 40% duty cycle	at $T_U = 20\text{ °C}$
	~6 year(s) at 100% duty cycle	at $T_U = 20\text{ °C}$
Display/display range	5-digit, LCD 7-segment, ~13 mm height	-99999 ... 99999
Keys	3 keys, membrane keyboard	
Interface		for the PTM programming tool

System data

Feature	Technical data	Additional information
Resolution	0.1 mm	
Repeat accuracy	±0.15 mm	
Measuring range	2000 mm	
Travel speed	≤800 mm/s	

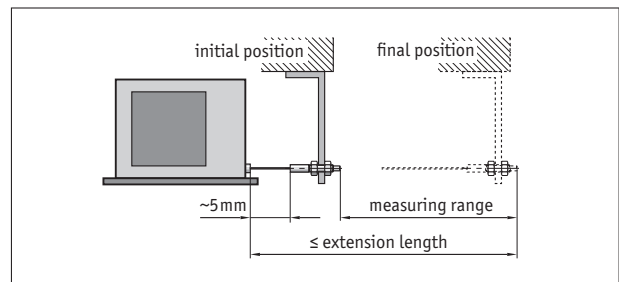
Ambient conditions

Feature	Technical data	Additional information
Ambient temperature	0 ... 60 °C	measurement display
	-10 ... 80 °C	wire-actuated encoder
Storage temperature	-20 ... 70 °C	
Relative humidity	≤95 %	condensation inadmissible
EMC	EN 61000-6-2	interference resistance / immission
	EN 61000-6-4	emitted interference / emission
Protection category	IP20	EN 60529 (wire-actuated encoder)
	IP60 display side	EN 60529 (wire-actuated encoder)
	IP50	EN 60529 (wire-actuated encoder)
	IP65	EN 60529 (wire-actuated encoder)

Hint for mounting

When securing the wire it must be ensured that the wire is straight and vertical in relation to the wire outlet.

Recommendation: Only select the starting position after an unwound length of approx. 5 mm. This prevents the wire hitting the end stop when it is rewound.



symbolic depiction

Order

Ordering table

Feature	Ordering data	Specification	Additional information
Cable length	01.0	A 1 m	
	02.0		2 m
Type of protection of the wire-actuated encoder	IP50	B IP50	
	IP65		IP65

Order key

MA508SG - -

Scope of delivery: MA508SG, Mounting instructions