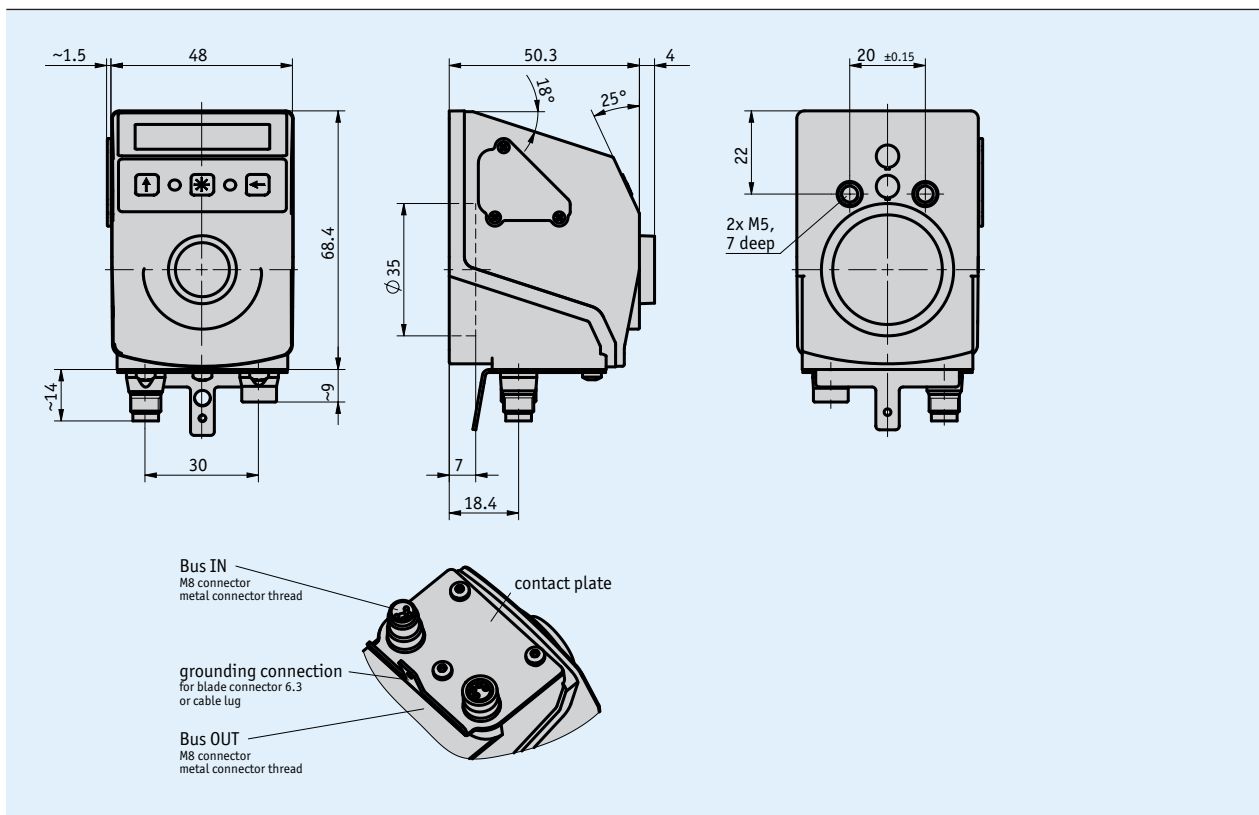


Profile

- Setpoint display with bus interface without measurement of actual value
- Large control key to confirm target value
- Optimally readable backlit display
- Two-line LCD-Display
- Integrated RS485 interface, CAN bus as an option
- User guidance via bicolor status LEDs
- IP53 protection class, IP65 as an option



Mechanical data

Feature	Technical data	Additional information
Housing	reinforced plastic	plug thread, nickel-plated brass/cover, metal ground connection
Color	black, RAL 9005	
Weight	~0.09 kg	

Electrical data

Feature	Technical data	Additional information
Operating voltage	24 V DC $\pm 20\%$	
Current consumption	~30 mA	additional ~3 mA per LED when operated with LEDs
Power input	~0.72 VA	Max. power supply of the power supply unit used: 100 VA. The power supply used corresponds to SELV/Limited Energy (IEC 61010-1) or SELV/LPS (IEC 60950-1) or Class 2 (UL 1310).
Parameter storage	10 ⁵ cycles	also applies to calibration operations
Display/display range	6-digit LCD 14-segment, ~8 mm height	decimal points, 2 rows, (backlit LED red/white)
Status display	2x two-color LED (red/green)	acknowledgment status, configurable
Keys	acknowledgment, parameterization	
Bus connection	RS485; CANopen	no galvanic isolation
Type of connection	2x M8-plug connectors (A-coded) grounding via flat male tab 6.3 mm or terminal lug	4-pole, 1x socket, 1x pin

System data

Feature	Technical data	Additional information
Approval	UL	UL 61010-1, File No. E503367

Ambient conditions

Feature	Technical data	Additional information
Ambient temperature	0 ... 60 °C	
Storage temperature	-20 ... 80 °C	
Relative humidity		condensation inadmissible
EMC	EN 61326-1	Industry immunity requirement, class B emission limit, shielded line required
Safety regulations	DIN EN 61010-1 (VDE 0411-1), UL 61010-1	Limited power supply according to DIN EN 61010-1 Section 9.4. Protection class II Surge category II Pollution level 2
Protection category	IP53 IP65	EN 60529, only with mating connector (protection class not examined by UL) EN 60529, only with mating connector (protection class not examined by UL)
Shock resistance	500 m/s ² , 11 ms	EN 60068-2-27
Vibration resistance	100 m/s ² , 5 ... 150 Hz	EN 60068-2-6

Pin assignment

■ Interfaces

RS485	CAN bus	PIN
TxRx-/DÜB	CANL	1
TxRx+/DÜA	CANH	2
+24 V DC	+24 V DC	3
GND	GND	4

Order

Ordering table

Feature	Ordering data	Specification	Additional information
Interface/protocol	S3/09	RS485/SIKONETZ5	
	CAN	CANopen	
Protection category	IP53	IP53	
	IP65	IP65	
Viewing window	SF	front foil	
	K	plastic	impact protection

Order key



Scope of delivery: AP10T, Mounting instructions, Documentation on CD

Accessories:

Cable extension KV04S1	www.siko-global.com
Mating Connector Overview	www.siko-global.com
Mating connector, 4-pole, socket	Order key 84209
Mating connector, 4-pole, pin	Order key 84210
Bus terminating connector, 4-pole, pin	Order key BAS-0005