

Incremental encoder IG16

Solid shaft

IG16 – the economical one! Compact incremental encoder with solid shaft, easy to handle and mount.

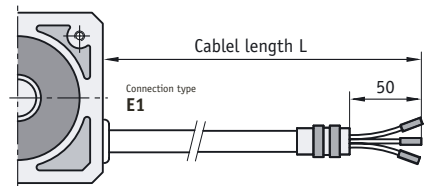
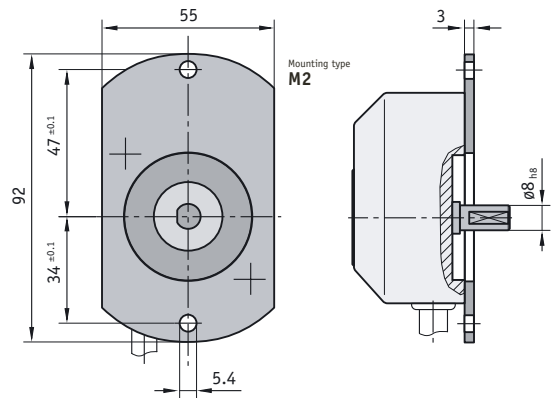
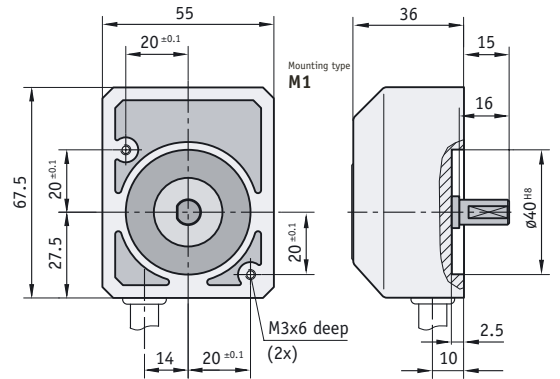


Features:

- max. 1024 pulses/revolution
- PP, OC output circuits
- shock-proof plastic housing
- economical design

Options:

- Customer-specific versions are available on request.



Feature	Order text	Technical data	Additional information
Output signals		slide bearing	ball bearing
	AXX	500	1024
	ABX	250	500
	AB0	220	250
	ABI	220	250
		max. pulses/revolution	
		max. pulses/revolution	
		max. pulses/revolution	
		max. pulses/revolution	
Pulses/revolution	...	2, 3, 5, 6, 8, 10 , 14, 15, 16, 17, 20, 24, 25 , 28, 30, 35, 36, 40, 43, 44, 47, 48, 50 , 60, 70, 75, 79, 80, 84, 85, 86, 90, 91, 93, 96, 100 , 115, 117, 120, 123, 125 , 127, 132, 140, 150, 153, 156, 157, 158, 160, 180, 197, 199, 200 , 202, 212, 220, 226, 250 , 265, 300, 360 , 377, 381, 500 , 600, 1000 , 1024 others on request	
Connection type	E1	stripped cable ends	
	E6X	coupling at end of cable	
	E6	coupling in cable with stripped cable ends	
Cable length L [m]	2.0	0.3 ... 10.0, max. 25	from 0.3 ... 10.0 in 0.1 steps
Cable length L2 [m] (only for E6)	2.0	0.3 ... 10.0	from 0.3 ... 10.0 in 0.1 steps
Mounting type	M1		
	M2		with flange
Output circuit	PP	push-pull	
	OC	open collector (NPN) current-sinking	
Solid shaft diam. [mm]	8		
	6		
Shaft design	W01	slide bearing/clamping screw	
Mechanical data			
Max. speed		12000 min ⁻¹	
Rotor moment of inertia		8.4 x 10 ⁻⁶ kgm ² at W01	
Load capacity of shaft		radial 20N, axial 10N (W01)	
Weight		approx. 0.12 kg	
Type of protection		IP 54	
Operating temperature		0 °C ... +60 °C	
Shaft		burnished steel	
Cable sheath		PVC	
Shock resistance		400 g/6 ms	according to DIN-IEC 68-2-27
Vibration resistance		10 g/50 Hz	according to DIN-IEC 68-2-6
Electrical data			
		PP	OC (NPN)
Phase position		90 ° ± 30 °	90 ° ± 30 °
Operating voltage		10 ... 30 V DC	10 ... 30 V DC
Power cons. without load (typ.)		50 mA	50 mA
Permitted load/channel (max.)		40 mA*	50 mA
Pulse frequency (max.)		25 kHz	25 kHz
Signal level high (min.)		UB - 2 V (20 mA)	**
Signal level low (max.)		1 V (20 mA)	0.1 V
Polarity protection on UB		yes	yes
Other data			
Housing		plastic reinforced	
Test mark		CE	

* short-circuit proof, ** wiring-dependent

Your order data: - - - - - - - - -