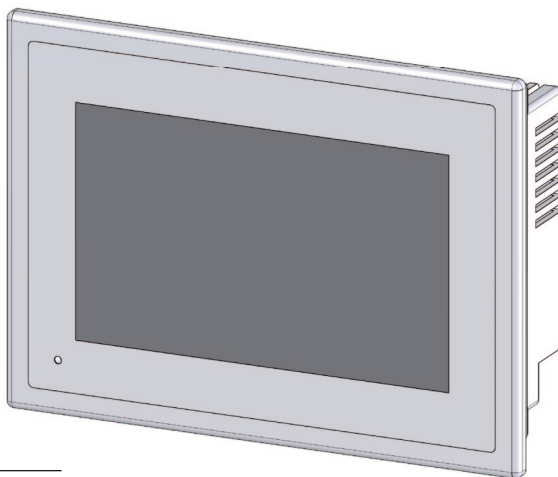


Easy Touch Control ETC5000



SIKO GmbH

Address
 Weihermattenweg 2
 79256 Buchenbach

Telephone
 +49 7661 394-0

Fax
 +49 7661 394-388

eMail
 info@siko.de
Internet
 www.siko.de

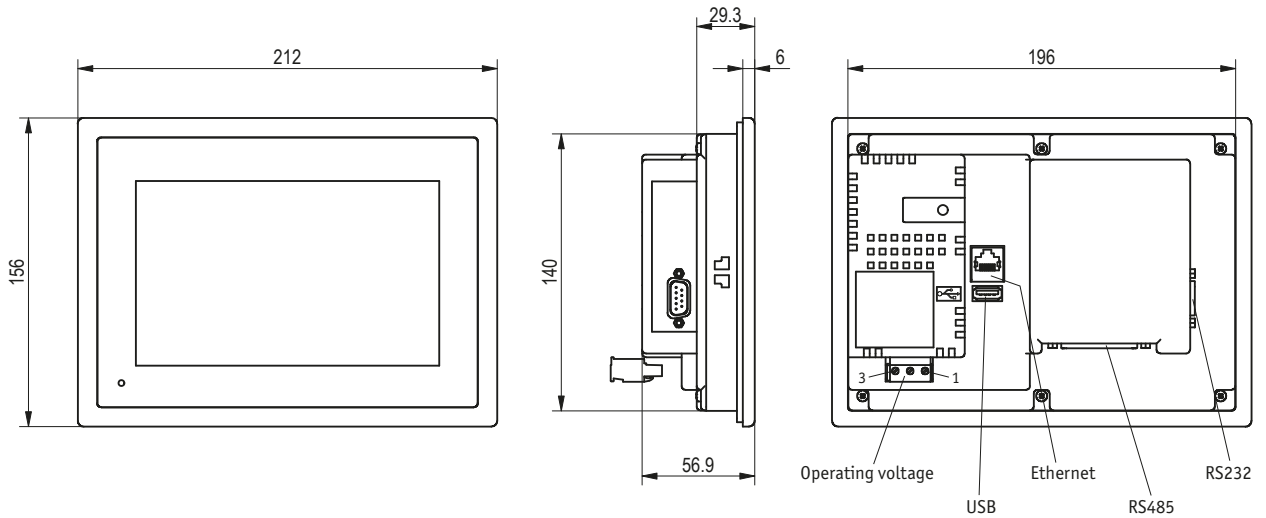
Features:

- Control system for Position Indicators and Actuators
- Intuitive touchscreen user interface for quick size changeover
- Up to 31 devices can be controlled
- Individual or block positioning
- RS485 und USB Interface

| Features | Order text | Additional information |
|--------------------|---------------------------|------------------------|
| Display diagonal | 7 A 7 inch | |
| Protection | IP65 B front | |
| Interface/protocol | S3/09 C RS485 / SIKONETZ5 | |
| Software | S D | standard |

Your ordering: - - - -

Easy Touch Control ETC5000



Pin assignment
Operating voltage

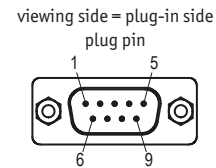
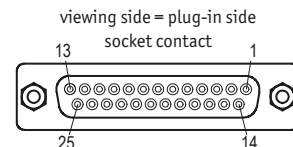
| Pin | Designation |
|-----|-------------|
| 1 | +UB |
| 2 | GND |
| 3 | PE |

Pin assignment RS485

| Pin | Designation |
|---------------------------|------------------------------|
| 1 | GND |
| 7 | GND |
| 12 | DÜA |
| 13 | DÜB |
| 21 | +5 V Out (for level setting) |
| 2-6, 8, 14-20, 22, 24, 25 | do not connect |
| 9-11, 16, 17, 23 | N.C. |

Pin assignment RS232

| Pin | Designation |
|-----|-------------|
| 1 | DCD |
| 2 | RD |
| 3 | TD |
| 4 | DTR |
| 5 | SG |
| 6 | DSR |
| 7 | RTS |
| 8 | CTS |
| 9 | RI |



Technical Data

| Mechanical Data: | |
|-----------------------|---|
| Housing | plastic |
| Weight | 1,3 kg |
| Electrical data: | |
| Operating voltage | 11 ... 36 V DC |
| Power consumption | 12 W |
| Display | 7", TFT wide touch screen |
| Colors | 65536 |
| Background lighting | LED |
| Ambient conditions: | |
| Operating temperature | 0 ... +50 °C |
| Storage temperature | -20 ... +60 °C |
| Relative humidity | 10 % ... 90 % |
| Protection category | IP65 front, IP20 housing |
| Shock resistance | 15 g / 11ms |
| Vibration resistance | 9 ... 150 Hz; 9,8 m/s ² X, Y & Z |

Additional information

| |
|----------------------------|
| resolution 800 x 480 |
| condensation not permitted |
| EN 60529 |

Accessory

| | |
|----------|---------------|
| KA485ETC | Adapter RS485 |
|----------|---------------|