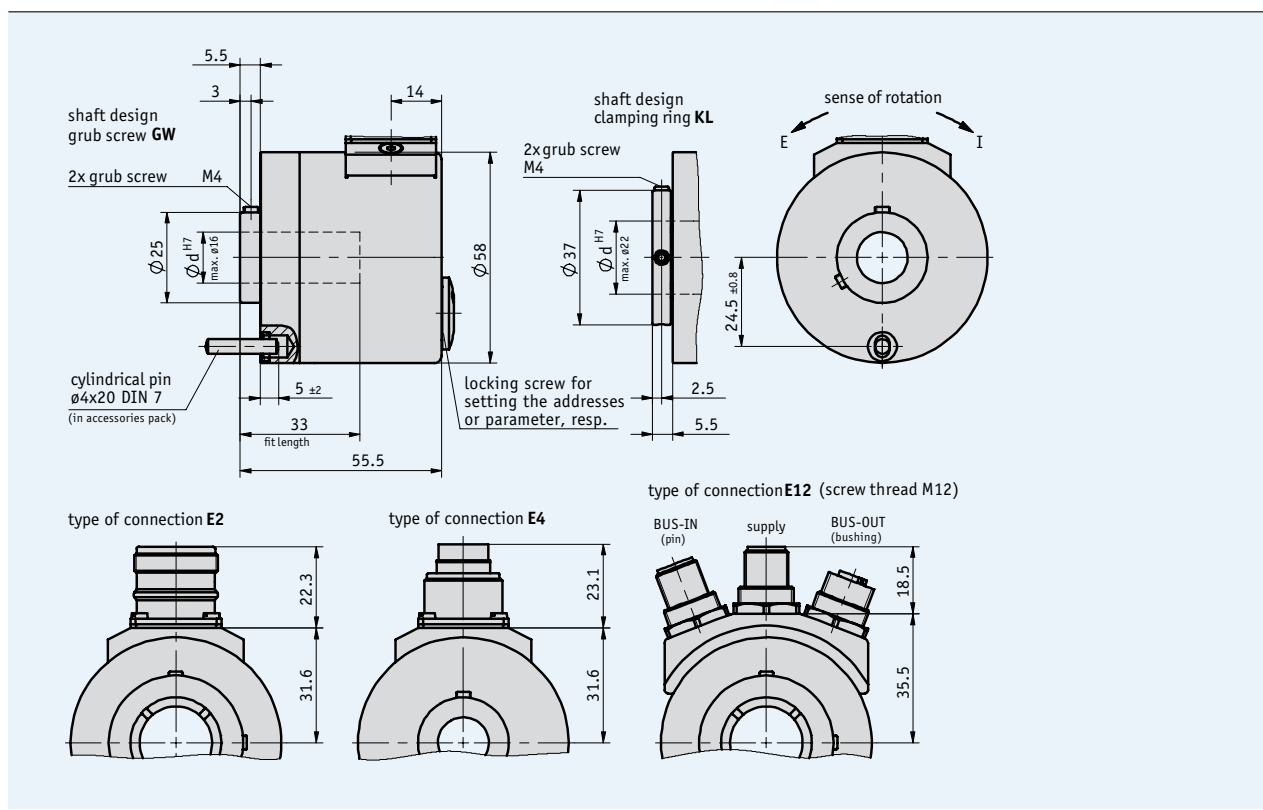


Profile

- Very compact design
- Hollow shafts up to max. \varnothing 22 mm
- Robust contactless scanning 12 bit, single-turn
- Standard: SSI output; RS485 and fieldbus as options
- Hood made of sheet steel



2.1

Mechanical data

| Feature | Technical data | Additional information |
|-------------------------|--|--------------------------------|
| Max. speed | 6000 rpm | |
| Shaft moment of inertia | $\sim 17 \times 10^{-6} \text{ kgm}^2$ | |
| Starting torque | $\leq 0.03 \text{ Nm}$ | at 20 °C |
| Weight | $\sim 0.4 \text{ kg}$ | |
| Protection category | IP65 | |
| Operating temperature | -20 ... +100 °C | |
| Storage temperature | -30 ... +100 °C | |
| Shock resistance | 200 g/6 ms | according to DIN EN 60068-2-27 |
| Vibration resistance | 10 g/5 ... 150 Hz | according to DIN EN 60068-2-6 |
| Shaft | stainless steel | |
| Housing | aluminum and steel | |

Electrical data

| Feature | | | | | Additional information |
|---|------------------|--|---|---|--|
| Protocol | SIKONETZ-3 | SSI | CAN bus CANopen | Profibus PB | |
| Operating voltage | +10 ... +30 V DC | +10 ... +30 V DC | +10 ... +30 V DC | +10 ... +30 V DC | |
| Output driver interface | RS485 | RS422 | CAN high-speed acc. to ISO/DIS 11898 | RS485 | |
| Current consumption without load (typical) | ~0.4 W | ~0.9 W | <1.1 W | <1.1 W | |
| SSI clock rate | | min. 65 kHz (<400 m cable length) max. 1 MHz (<25 m cable length) | | | |
| Baud rate (kbit/s) | 19.2 | | 125, 250, 500, 1000 | 9.6, 19.2, 93.75, 187.5, 500, 1500, 3000, 6000, 12000 | |
| Short-circuit resistant outputs | yes | yes | yes | yes | output against output or output against GND in case of short circuit |
| Inverse-polarity protection on UB | yes | yes | yes | yes | |
| External calibration input | no | yes | no | no | |

2.1

Pin configuration

■ Connector pin assignment E2; SSI interface

| Signal | PIN |
|-----------|---------|
| GND | 1 |
| +UB | 2 |
| Clock + | 3 |
| Clock - | 4 |
| Data + | 5 |
| Data - | 6 |
| RS485 DÜA | 10 |
| RS485 DÜB | 12 |
| N.C. | 7-9, 11 |

■ Connector pin assignment E2; SSI interface with external calibration input

| Signal | PIN |
|----------------------------|----------|
| GND | 1 |
| +UB | 2 |
| Clock + | 3 |
| Clock - | 4 |
| Data + | 5 |
| Data - | 6 |
| External calibration input | 8 |
| RS485 DÜA | 10 |
| RS485 DÜB | 12 |
| N.C. | 7, 9, 11 |

■ Connector pin assignment E4; SIKONETZ-3 interface

| Signal | PIN |
|--------|-----|
| DÜA | 1 |
| DÜB | 2 |
| GND | 3 |
| N.C. | 4 |
| +UB | 5 |
| N.C. | 6-7 |

■ Connector pin assignment E12; Profibus interface

| Signal | Signal | PIN |
|-------------|--------------|-----|
| Profibus-IN | Profibus-OUT | |
| N.C. | VP (2P5) | 1 |
| BUS-A | BUS-A | 2 |
| N.C. | DGND (2M) | 3 |
| BUS-B | BUS-B | 4 |
| N.C. | screen | 5 |

■ Connector pin assignment E12; interface CAN bus

| Signal | Signal | PIN |
|------------|-------------|-----|
| CANopen-IN | CANopen-OUT | |
| N.C. | N.C. | 1 |
| N.C. | N.C. | 2 |
| CAN_GND | CAN_GND | 3 |
| CAN_H | CAN_H | 4 |
| CAN_L | CAN_L | 5 |

■ Connector pin assignment E12; power supply

| Power supply | PIN |
|--------------|-----|
| +UB | 1 |
| N.C. | 2 |
| GND | 3 |
| N.C. | 4 |

Order

Order table

| Feature | Order text | Specification | Additional information |
|-----------------------|------------|-------------------------------------|--------------------------------|
| Interface/protocol | CAN | CAN bus | CANopen |
| | PB | Profibus DP | |
| | S3/06 | SIKONETZ-3 | RS485 |
| | S6/04 | SSI | RS422 |
| | S6/04-K | SSI with external calibration input | RS422 |
| Type of connection | E2 | connector | for SSI |
| | E4 | connector | for SIKONETZ-3 |
| | E12 | connector | for CAN bus or Profibus |
| Steps per revolution | 1024 | 10 bit | |
| | 4096 | 12 bit | |
| Shaft design | GW | set screw | only with hollow shaft Ø 14 mm |
| | KL | clamp ring | only with hollow shaft Ø 20 mm |
| Hollow shaft/diameter | ... | 14, 20 | |
| | E | others on request | |
| Ambient condition | S | condensation not permitted | |
| | E | condensation permitted | |

2.1

Order code

WH58M - - - - 1 - - -

A B C D E F

Scope of delivery: WH58M, User information

Accessories:

Mating connectors

Page 88

Cable extension

Page 90

Electronic displays MA55, MA10/4

Catalog 6 DisplayLine

Additional information:

General information and areas of application

Page 8 cont.