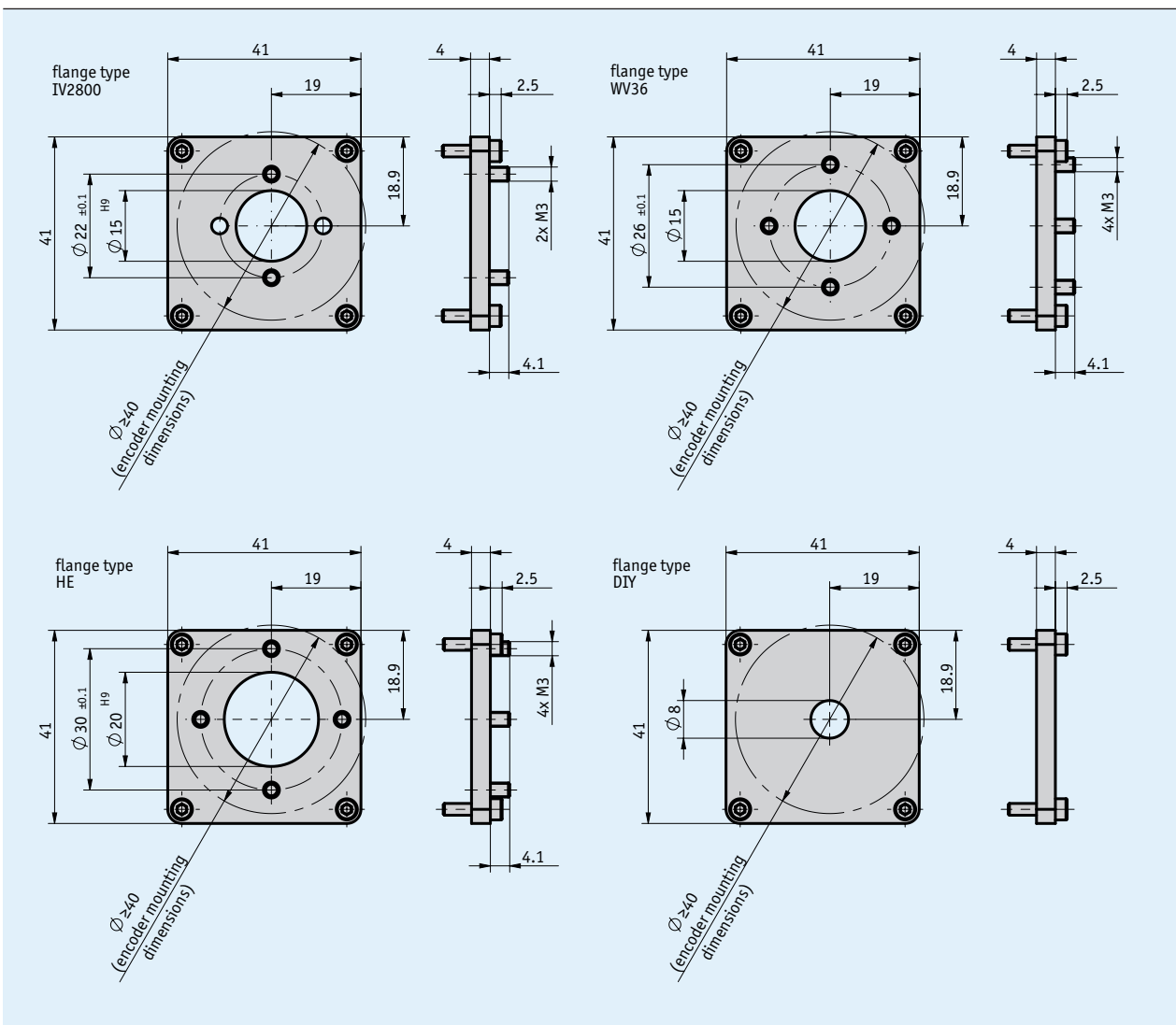
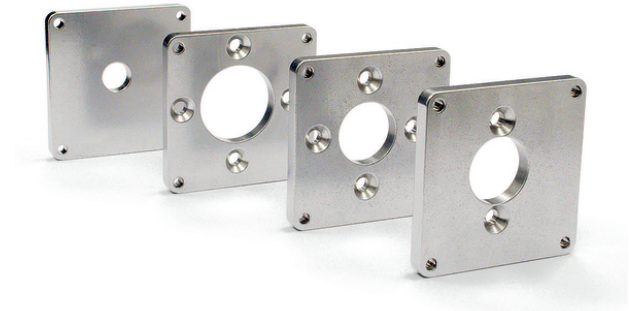


Profile

- For easy mounting of rotary encoders to SG21
- For rotary encoders with max. $\varnothing 40$ mm
- Diverse variants available
- Basic version (DIY) for own adjustments

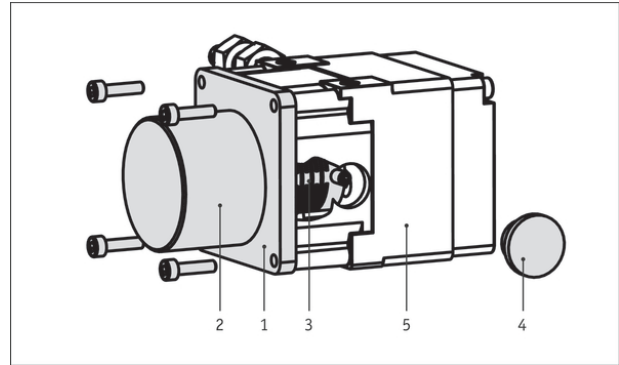


Mechanical data

Feature	Technical data	Additional information
Material	aluminum	

Hint for mounting

Mount the mounting flange [1] directly on the encoder flange [2]. After mounting the self-aligning coupling [3] on the encoder shaft, place the rotary encoder with flange and coupling on the cable housing [5]. Screw the flange to the housing and fasten the coupling through the lateral hole on the drum shaft of the cable. The plastic cover [4] prevents foreign bodies from entering the cable housing. For detailed instructions regarding encoder mounting refer to the user information of the SG21 wire-actuated encoder



Order

Ordering information

One or more system components are required:

Absolute encoder WV36M/CAN
 Absolute encoder WV36M/SSI
 Incremental encoder IV2800
 Wire-actuated encoder SG21

www.siko-global.com
www.siko-global.com
www.siko-global.com
www.siko-global.com

Ordering table

Feature	Ordering data	Specification	Additional information
Flange type	IV2800	for ø28 mm rotary encoder	
	WV36	for ø36 mm rotary encoder	
	HE	for rotary encoder with bolt circle ø30 mm	
	DIY	processing of the flange for the encoder by the customer	

Order key

ZB4002 -

Scope of delivery: ZB4002, fastening screws for flange and encoder