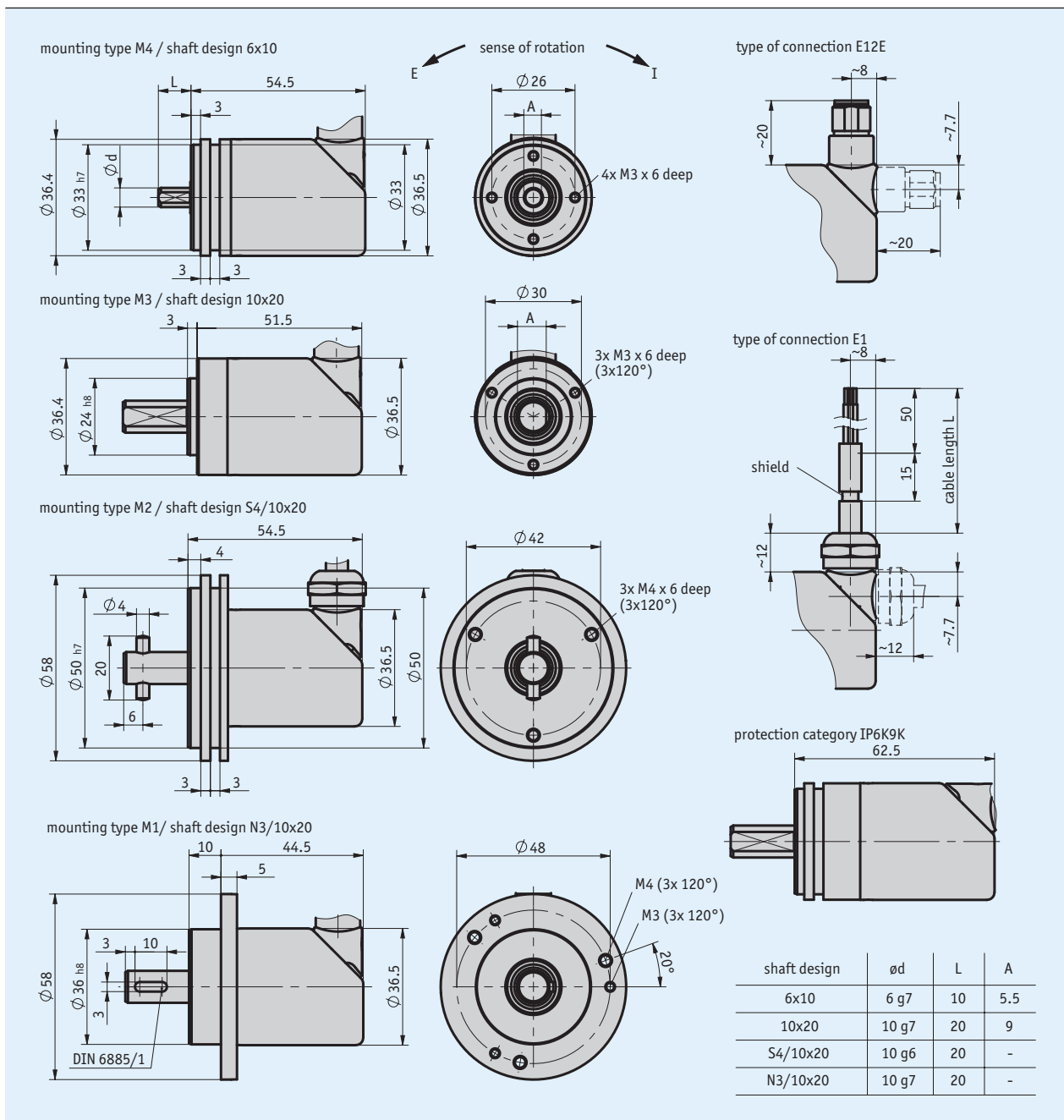


### Profile

- Smallest safety multiturn rotary encoder for mobile machines
- Single turn or multiturn variant available
- SIL2 (IEC 61508) PLd (DIN EN ISO 13849) certified (in preparation)
- E1 approval by the German Federal Motor Transport Authority (KBA) pending
- Protection class up to IP6K9K
- With PURE.MOBILE technology



### Mechanical data

Feature	Technical data	Additional information
Shaft	rustproof stainless steel	
Flange	aluminum	
Housing	rustproof stainless steel	
Speed	≤3000 rpm	with protection classes IP67 and IP6K9K
	≤6000 rpm	with protection class IP65
Moment of inertia	<3.5 gcm <sup>2</sup>	with protection class IP67
	<4 gcm <sup>2</sup>	with protection class IP6K9K
Starting torque	≤2 Ncm at 20° C	
Shaft load rating	≤60 N	radial
	≤40 N	axial
	≤200 N	radial, with protection class IP6K9K
	≤200 N	axial, with protection class IP6K9K

### Electrical data

Feature	Technical data	Additional information
Operating voltage	8 ... 36 V DC	reverse-polarity protected
Power input	≤1 W	at 36 V, without load
Parameter storage	10 <sup>5</sup> cycles	also applies to calibration operations
Status display	1x two-color LEDs (red/green)	device / CAN status
Power rating	±36 V	CAN interface
Interface	according to ISO 11898-1, not electrically isolated	CANopen
	according to ISO 11898-1, not electrically isolated	CANopen Safety
	according to ISO 11898-1, not electrically isolated	SAE J1939 Safety
Address	1 ... 127	CANopen, CANopen Safety
	128	SAE J1939 Safety
Baud rate	20 kbit/s	CANopen Safety
	50 kbit/s	CANopen Safety
	125 kbit/s	CANopen Safety
	250 kbit/s	CANopen Safety
	500 kbit/s	CANopen Safety
	800 kbit/s	CANopen Safety
	1 Mbit/s	CANopen Safety
Cycle time	<10 ms	
Starting time	<1000 ms	
Parameter	according to CiA 301, CiA 303 Part 3, CiA 305, CiA 406 EN 50325-5	CANopen Safety
Type of connection	1x M12 connector (A-coded)	5-pole, 1x pin (E12E connection type)
	open cable end	stranded wire cross-section 0.5 mm <sup>2</sup> ( E1 connection type)

### System data

Feature	Technical data	Additional information
Scanning	magnetic	
Resolution	14 bit	singleturn, 16384 steps/rotation
Measuring range	1 revolution(s)	singeltturn
	4096 revolution(s)	12 bit
	65536 revolution(s)	16 bit

### Ambient conditions

Feature	Technical data	Additional information
Ambient temperature	-40 ... +85 °C	
Storage temperature	-40 ... +85 °C	
Relative humidity	100 %	condensation permitted
Protection category	IP65	EN 60529
	IP67, IP6K9K	EN 60529, ISO 20653, according to assembly instructions and with suitable mating connector
	IP6K9K	ISO 20653
Salt spray test	severity level 4	EN 60068-2-52, verbaut nach Montageanleitung und mit geeignetem Gegenstecker

### Pin assignment

#### E12E

Signal	PIN
nc	1
+UB	2
GND	3
CAN_H	4
CAN_L	5

#### E1

Signal	Cable color E1
nc	white
+UB	brown
GND	green
CAN_H	yellow
CAN_L	gray

### Order

#### Ordering table

Feature	Ordering data	Specification	Additional information
Number of revolutions	1	singleturn	
	4096 <b>A</b>	12 bit	
	65536	16 bit	
Shaft diameter x length	10x20 <b>B</b>	∅10 mm x 20 mm	
	6x10	∅6 mm x 10 mm	
	N3/10x20	∅10 mm x 20 mm, feather key	
	S4/10x20	∅10 mm x 20 mm, grooved pin	
Mounting type	M1 <b>C</b>	supported flange joint ∅58 mm	
	M2	servo flange ∅58 mm	
	M3	supported flange joint ∅36 mm	
	M4	servo flange ∅36 mm	
Protection category	IP65 <b>D</b>	IP65	
	IP67	IP67	
	IP6K9K	IP6K9K	only with shaft diameter 10 and mounting type M4
Position of electrical connection	A <b>E</b>	axial	
	R	radial	
Type of connection	E1 <b>F</b>	open cable end	
	E12E	Bus IN	
Cable length	OK <b>G</b>	without cable	only with type of connection E12E
	...	01.0, 02.0, 03.0, 05.0, 10.0 in m	only with type of connection E1

#### Order key

WV3600MR - **CANs** - **16384** -  -  -  -  -  -  -

Scope of delivery: WV3600MR, Quick Start Guide

#### Accessories:

Cable extension KV0550

Mating Connector Overview

Mating connector, 5-pole, socket

Mating connector, 5-pole, angle socket

[www.siko-global.com](http://www.siko-global.com)

[www.siko-global.com](http://www.siko-global.com)

Order key 84109

Order key 83006