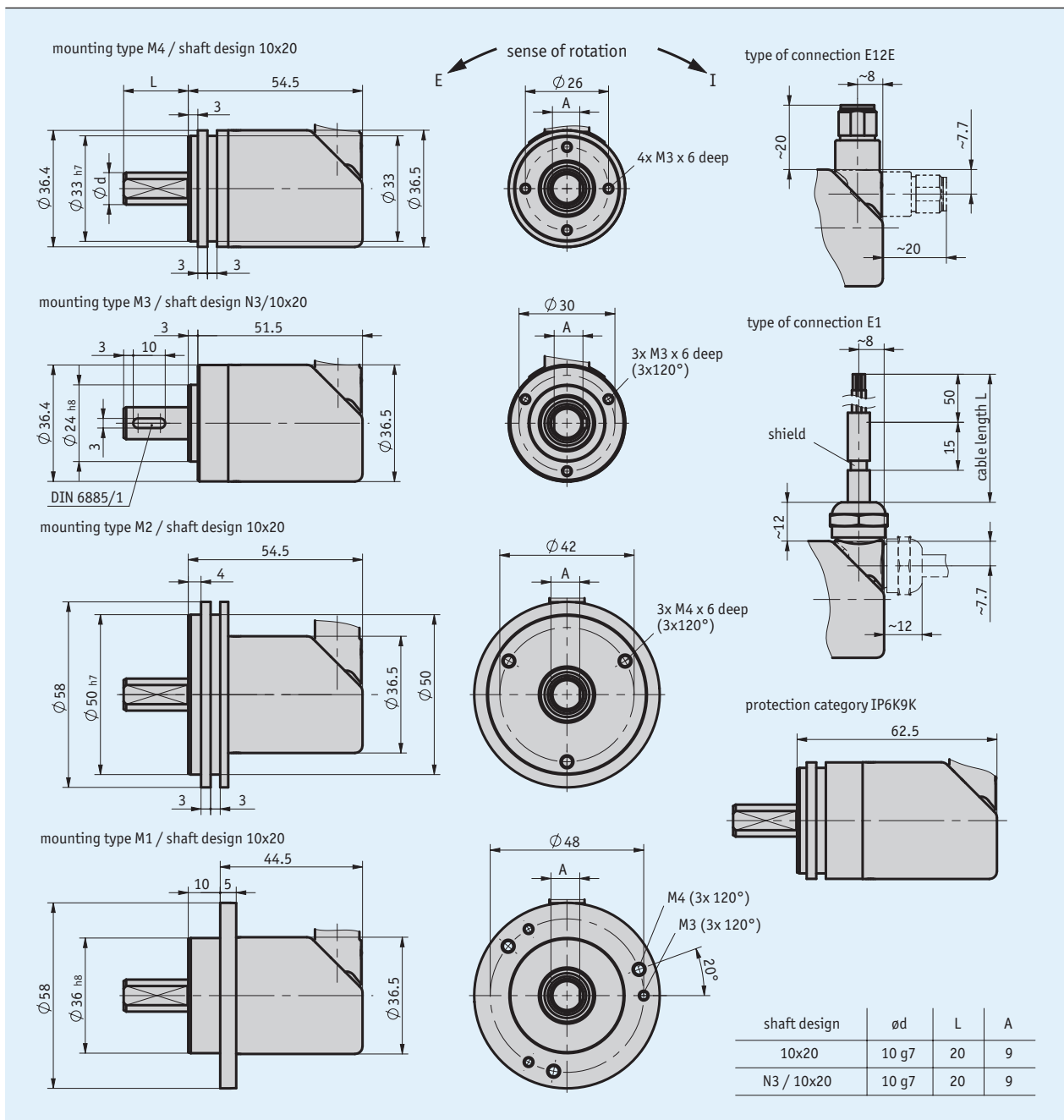


Profile

- Suitable for offshore applications (severity level 5)
- Single turn or multiturn variant available
- SIL2 (IEC 61508) PLd (DIN EN ISO 13849) certified (in preparation)
- Extremely compact and very robust design
- Protection class up to IP6K9K
- Increased shaft load
- With PURE.MOBILE technology



Mechanical data

Feature	Technical data	Additional information
Shaft	rustproof stainless steel	
Flange	rustproof stainless steel	
Housing	rustproof stainless steel	
Speed	≤3000 rpm	
Moment of inertia	<3.5 gcm ² <4 gcm ²	with protection class IP6K9K
Starting torque	≤2 Ncm at 20°	
Shaft load rating	≤60 N	radial
	≤40 N	axial
	≤200 N	radial, with protection class IP6K9K
	≤200 N	axial, with protection class IP6K9K

Electrical data

Feature	Technical data	Additional information
Operating voltage	8 ... 36 V DC	reverse-polarity protected
Power input	≤1 W	at 36 V, without load
Parameter storage	10 ⁵ cycles	also applies to calibration operations
Status display	1x two-color LEDs (red/green)	device / CAN status
Power rating	±36 V	CAN interface
Interface	according to ISO 11898-1, not electrically isolated	CANopen Safety
Address	1 ... 127	CANopen, CANopen Safety
Baud rate	20 kbit/s	CANopen Safety
	50 kbit/s	CANopen Safety
	125 kbit/s	CANopen Safety
	250 kbit/s	CANopen Safety
	500 kbit/s	CANopen Safety
	800 kbit/s	CANopen Safety
	1 Mbit/s	CANopen Safety
Cycle time	<10 ms	
Starting time	<1000 ms	
Parameter	according to CiA 301, CiA 303 Part 3, CiA 305, CiA 406 EN 50325-5	CANopen Safety
Type of connection	1x M12 connector (A-coded)	5-pole, 1x pin (E12E connection type)
	open cable end	stranded wire cross-section 0.5 mm ² (E1 connection type)

System data

Feature	Technical data	Additional information
Scanning	magnetic	
Resolution	14 bit	singleturn, 16384 steps/rotation
Measuring range	1 rotation	singleturn
	4096 rotations	12 bit
	65536 rotations	16 bit

Ambient conditions

Feature	Technical data	Additional information
Ambient temperature	-40 ... +85 °C	
Storage temperature	-40 ... +85 °C	
Relative humidity	100 %	condensation permitted
Protection category	IP67, IP6K9K	EN 60529, ISO 20653, installed according to assembly instructions and with suitable mating connector
	IP6K9K	ISO 20653
Salt spray test	severity level 5	EN 60068-2-52

Pin assignment

E12E

Signal	PIN
nc	1
+UB	2
GND	3
CAN_H	4
CAN_L	5

E1

Signal	Cable color E1
nc	white
+UB	brown
GND	green
CAN_H	yellow
CAN_L	gray

Order

Ordering table

Feature	Ordering data	Specification	Additional information
Interface/protocol	CANs	CANopen Safety	
	J1939s	J1939 Safety	
Number of revolutions	1	Singeltturn	
	4096	12 bit	
	65536	16 bit	
Shaft diameter x length	10x20	ø10 mm x 20 mm	
	N3/20	ø10 mm x 20 mm, feather key	
Mounting type	M1	supported flange joint ø58 mm	
	M2	servo flange ø58 mm	
	M3	supported flange joint ø36 mm	
	M4	servo flange ø36 mm	
Protection category	IP67	IP67	
	IP6K9K	IP6K9K	only with mounting type M4
Position of electrical connection	A	axial	
	R	radial	
Type of connection	E1	open cable end	
	E12E	Bus IN	
Cable length	OK	without cable	only with type of connection E12E
	...	01.0, 02.0, 03.0, 05.0, 10.0 in m	only with type of connection E1

Order key

WV3600MOR - - - - - - - - - -

Scope of delivery: WV3600MOR, Quick Start Guide