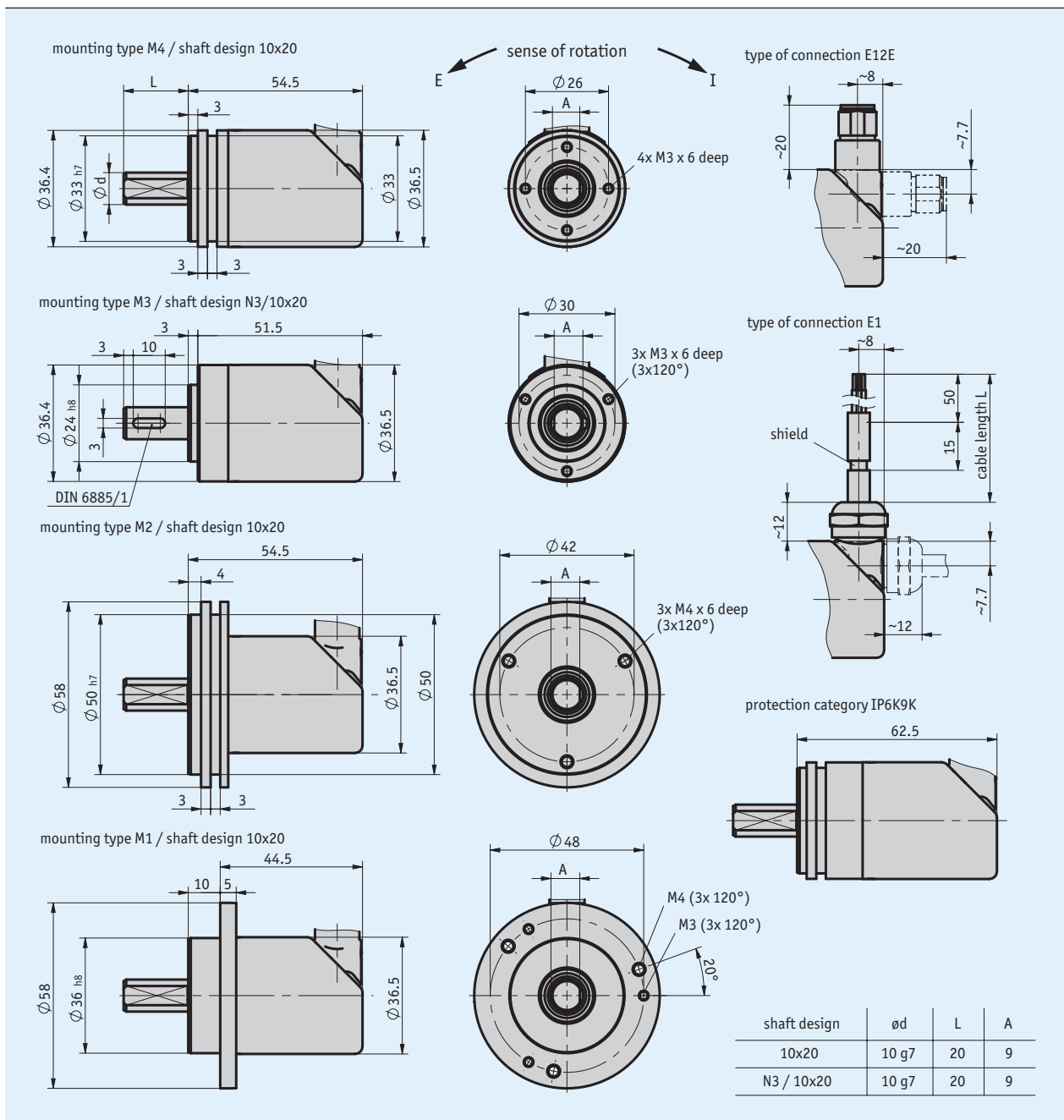


Profile

- Suitable for offshore applications (severity level 5)
- Single turn or multiturn variant available
- Extremely compact and very robust design
- Protection class up to IP6K9K
- Increased shaft load
- With PURE.MOBILE technology



Mechanical data

| Feature | Technical data | Additional information |
|-------------------|--|--------------------------------------|
| Shaft | rustproof stainless steel | |
| Flange | rustproof stainless steel | |
| Housing | rustproof stainless steel | |
| Speed | ≤3000 rpm | |
| Moment of inertia | <3.5 gcm ² <4 gcm ² | with protection class IP6K9K |
| Starting torque | ≤2 Ncm at 20° | |
| Shaft load rating | ≤60 N | radial |
| | ≤40 N | axial |
| | ≤200 N | radial, with protection class IP6K9K |
| | ≤200 N | axial, with protection class IP6K9K |

Electrical data

| Feature | Technical data | Additional information |
|--------------------|--|--|
| Operating voltage | 8 ... 36 V DC | reverse-polarity protected |
| Power input | ≤1 W | at 36 V, without load |
| Parameter storage | 10 ⁵ cycles | also applies to calibration operations |
| Status display | 1x two-color LEDs (red/green) | device / CAN status |
| Power rating | ±36 V | CAN interface |
| Interface | according to ISO 11898-1/2, not electrically isolated | CANopen |
| | according to ISO 11898-1, not electrically isolated | SAE J1939 |
| Address | 1 ... 127 | CANopen |
| | 128 ... 238 | SAE J1939 |
| Baud rate | 20 kbit/s | CANopen |
| | 50 kbit/s | CANopen |
| | 125 kbit/s | CANopen, SAE J1939 |
| | 250 kbit/s | CANopen, SAE J1939 |
| | 500 kbit/s | CANopen, SAE J1939 |
| | 800 kbit/s | CANopen |
| | 1 Mbit/s | CANopen |
| Cycle time | <10 ms | |
| Starting time | <1000 ms | |
| Parameter | according to CiA 301, CiA 303 Part 3, CiA 305, CiA 406 | CANopen |
| | according to SAE J1939-21, -71, -81, DA | SAE J1939 |
| Type of connection | 1x M12 connector (A-coded) | 5-pole, 1x pin (E12E connection type) |
| | open cable end | stranded wire cross-section 0.5 mm ² (E1 connection type) |

System data

| Feature | Technical data | Additional information |
|-----------------|-----------------|----------------------------------|
| Scanning | magnetic | |
| Resolution | 14 bit | singleturn, 16384 steps/rotation |
| Measuring range | 1 rotation | singleturn |
| | 4096 rotations | 12 bit |
| | 65536 rotations | 16 bit |

Ambient conditions

| Feature | Technical data | Additional information |
|---------------------|------------------|--|
| Ambient temperature | -40 ... +85 °C | |
| Storage temperature | -40 ... +85 °C | |
| Relative humidity | 100 % | condensation permitted |
| Protection category | IP67, IP6K9K | EN 60529, ISO 20653, installed according to assembly instructions and with suitable mating connector |
| | IP6K9K | ISO 20653 |
| Salt spray test | severity level 5 | EN 60068-2-52, salt spray test: 4 cycles, 28 days: installed according to assembly instructions and with suitable mating connector |

Pin assignment

E12E

| Signal | PIN |
|--------|-----|
| nc | 1 |
| +UB | 2 |
| GND | 3 |
| CAN_H | 4 |
| CAN_L | 5 |

E1

| Signal | Cable color E1 |
|--------|----------------|
| nc | white |
| +UB | brown |
| GND | green |
| CAN_H | yellow |
| CAN_L | gray |

Order

Ordering table

| Feature | Ordering data | Specification | Additional information |
|-----------------------------------|---------------|-----------------------------------|-----------------------------------|
| Interface/protocol | CAN | CANopen | |
| | J1939 | SAE J1939 | |
| Number of revolutions | 1 | singleturn | |
| | 4096 | 12 bit | |
| | 65536 | 16 bit | |
| Shaft diameter x length | 10x20 | ø10 mm x 20 mm | |
| | N3/10 | ø10 mm x 20 mm, feather key | |
| Mounting type | M1 | supported flange joint ø58 mm | |
| | M2 | servo flange ø58 mm | |
| | M3 | supported flange joint ø36 mm | |
| | M4 | servo flange ø36 mm | |
| Protection category | IP67 | IP67 | |
| | IP6K9K | IP6K9K | only with mounting type M4 |
| Position of electrical connection | A | axial | |
| | R | radial | |
| Type of connection | E1 | open cable end | |
| | E12E | Bus IN | |
| Cable length | OK | without cable | only with type of connection E12E |
| | ... | 01.0, 02.0, 03.0, 05.0, 10.0 in m | only with type of connection E1 |

Order key

WV3600M0 - - 16384 - - - - - - - - - S

A
B
C
D
E
F
G
H

Scope of delivery: WV3600M0, Quick Start Guide