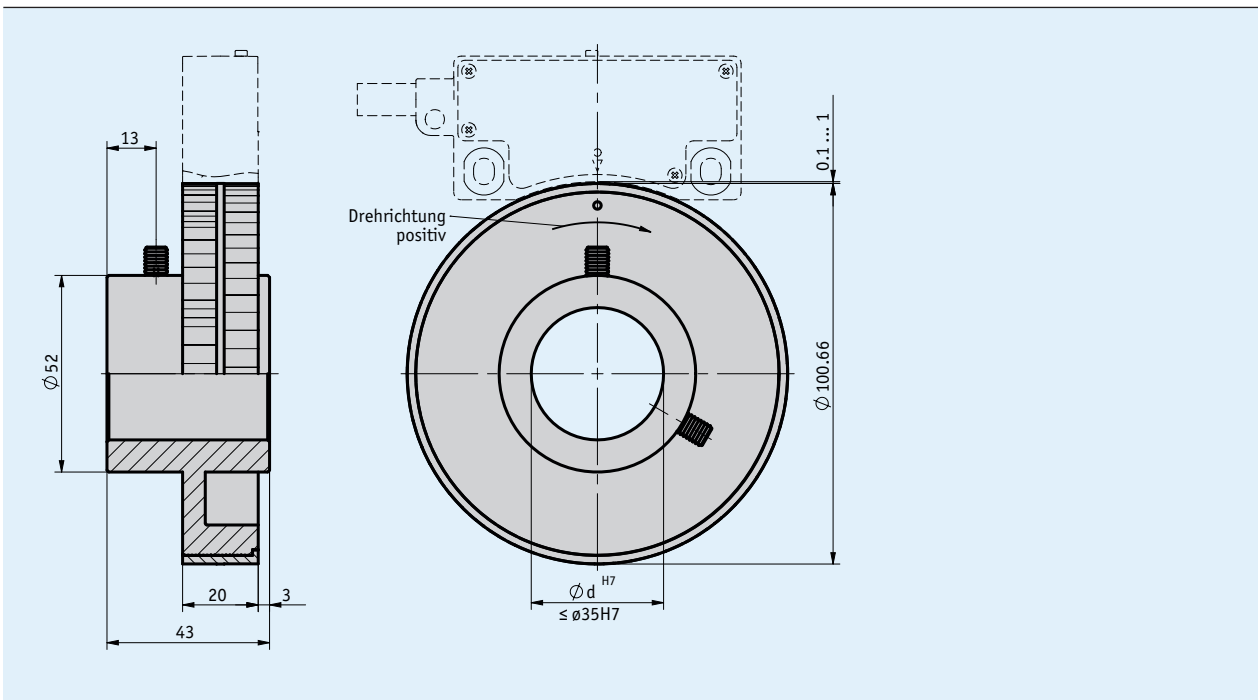
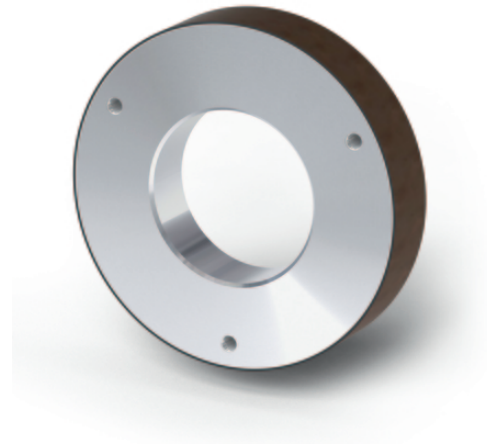


### Profile

- Easy hollow-shaft mounting
- external diameter 100.66 mm



### Mechanical data

Feature	Technical data	Additional information
Flange	aluminum	
Speed	≤6000 rpm	

### System data

Feature	Technical data	Additional information
Pole length	5 mm	Pole number 64
System accuracy	±0.1° (±200 ")	at T <sub>U</sub> = 20 °C, with run-out error of 50 μm
Measuring range	360°	

### Ambient conditions

Feature	Technical data	Additional information
Ambient temperature	-20 ... 80 °C	
Storage temperature	-20 ... 80 °C	
Relative humidity	100 %	condensation admissible

## Order

### ■ Ordering table

Feature	Ordering data	Specification	Additional information
Bore/diameter	20	ø20 mm	
	A	others on request	

### ■ Order key

MRAC506 -

Scope of delivery: MRAC506