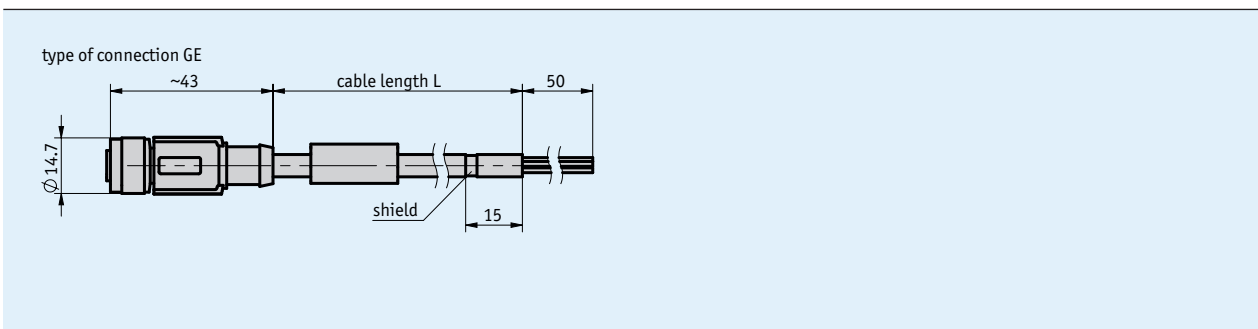
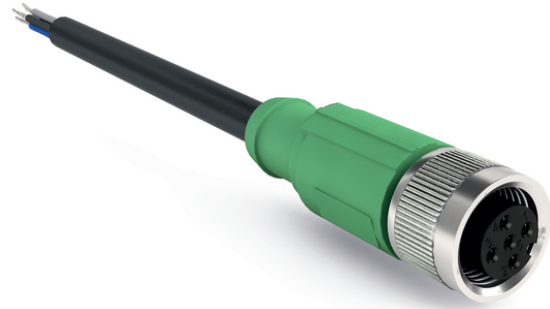


Profile

- Ready-to-use cable connection
- Cable length 3 m
- Connection technology M12 (A-coded), 5-pole



Mechanical data

Feature	Technical data	Additional information
Cable sheath	PUR drag chain-compatible	$\varnothing 5.9 \pm 0.2$ mm, 5×0.34 mm ² , screened
Cable bending radius	59 mm	static/dynamic

Ambient conditions

Feature	Technical data	Additional information
Ambient temperature	-25 ... 80 °C	dynamic
	-40 ... 80 °C	static

Pin assignment

- KV05S0

Cable color	PIN
brown	1
white	2
blue	3
black	4
grey	5

Order

- Order key

KV05S0 - GE - 03.0

Scope of delivery: KV05S0