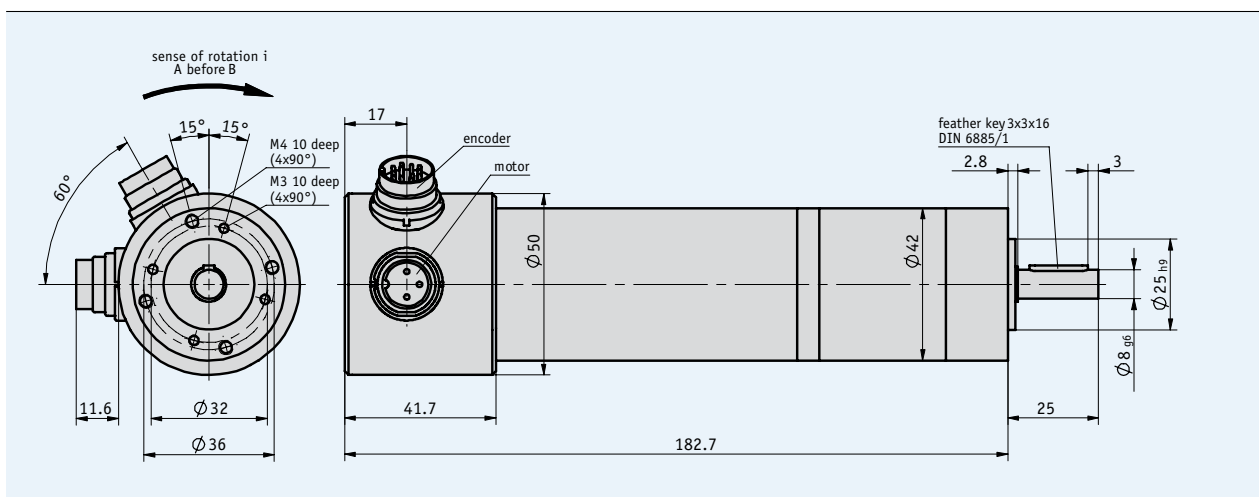


Profile

- Solid 10 mm shaft with feather
- Integrated magnetic position encoder



4.1

Mechanical data

Feature	Technical data	Additional information
Shaft	steel	
Housing	steel, aluminum	
Flanges	aluminum	
Nominal torque	4.2 Nm, 140 rpm	with $i = 45.56$
Shock resistance	50 g, 11 ms	DIN EN 60068-2-27
Vibration resistance axial, radial	10 g, 50 Hz	DIN EN 60068-2-6
Operating temperature	-10 ... +80 °C	condensation inadmissible
Operating mode	short-time operation S2, 25 % duty cycle	DIN 57530, VDE 0530 part 1
Interference protection class	EN 61000-6-2, EN 61000-6-4	
Protection category	IP40	according to DIN VDE 0470
Weight	approx. 1.1 kg	

Electrical data

■ **Motor data**

Feature	Technical data	Additional information
Motor voltage supply	0 ... 24 V DC	
Power consumption, fed	77 W	
Rated current	4.6 A ±20 %	

■ **Encoder data**

Feature	Technical data	Additional information
Voltage supply encoder	24 V DC ±20 %	use terminating resistors ≥470 Ω
Encoder	magnetic	25 pulses/revolution (motor shaft)
Power consumption encoder	<70 mA	
Output circuit	line driver (A, B, /A, /B)	LD 24 V DC

Pin assignment

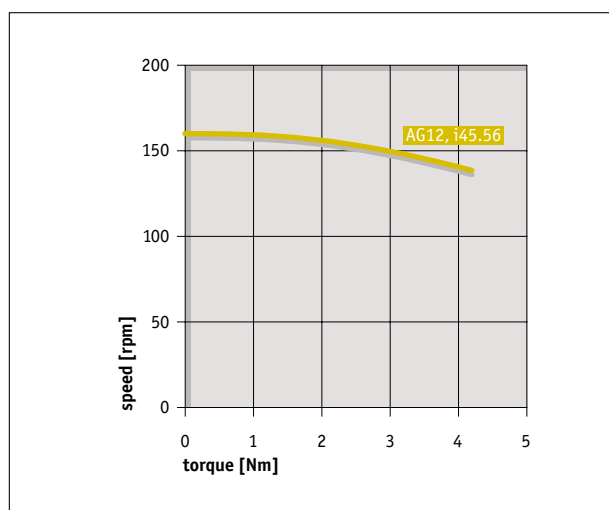
■ **Motor**

Signal	PIN
+	1
N.C.	2
-	3

■ **Encoder**

Signal	PIN	Additional information
/B	A	
+SUB	B	sensor
A	E	
/A	F	
B	H	
GND	K	
SGND	L	sensor
+UB	M	
N.C.	C, D, G, I	

Performance curve



Order

■ **Calculation formula**

Pulse number/revolution on the driving shaft

$$\text{pulses/revolution} = i \times 25$$

i = gear ratio

■ **Order table**

Feature	Order text	Specification	Additional information
Gear ratio	45.56	i = 45.56 others on request	

■ **Order code**

AG12 - A - EX

Scope of delivery: AG12, User information

➔ **Accessories:**

Mating connectors
Motor control MS02

Page 48
Page 42

Additional information:

General information and areas of application

Page 4 cont.