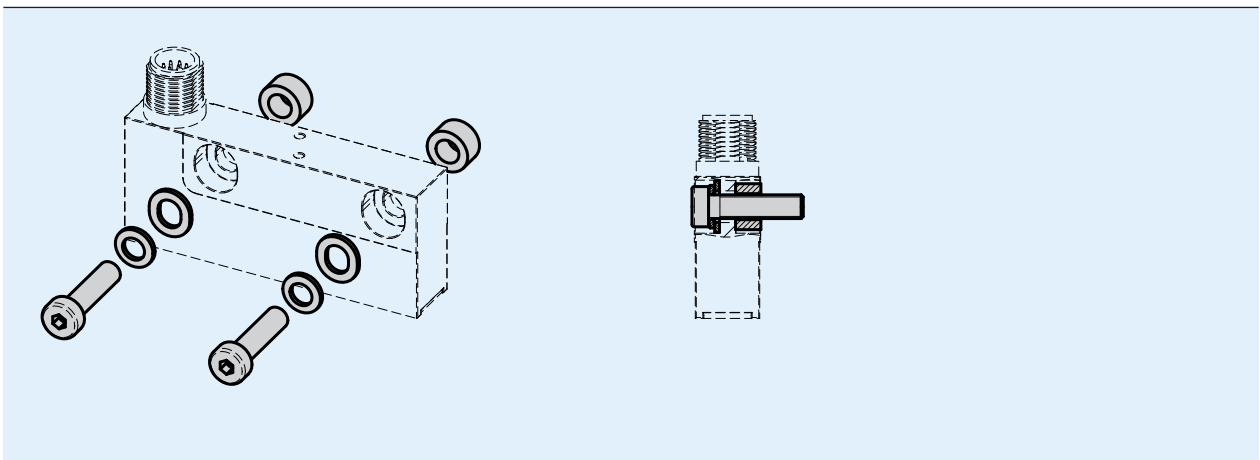


### Profile

- For safe and simple mounting of MSA111C
- SIL2-compliant
- Acceleration <math><100 \text{ m/s}^2</math>



### Mechanical data

Feature	Technical data	Additional information
Material	titanium zinc-coated steel	2x cylinder screw, M5x20 DIN 7984 2x lock washer

### Order

- Order key

ZB3053

Scope of delivery: ZB3053, Quick Start Guide