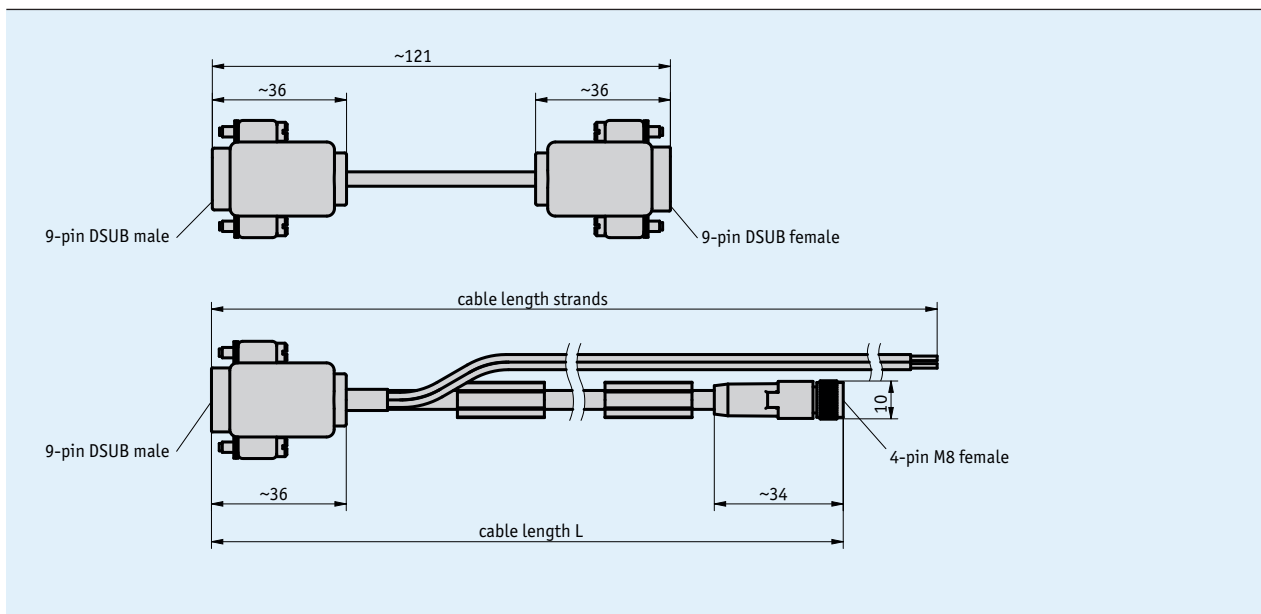
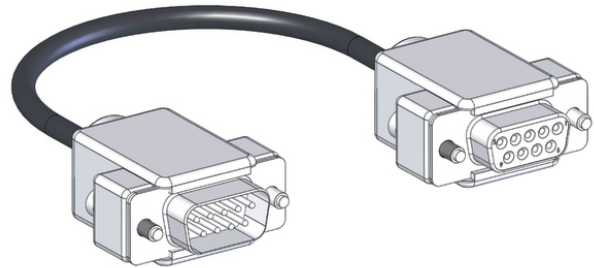


Profile

- Accessories for the interface converter for SIKONETZ5 devices
- integrated level specification for the RS485 network
- with 24 V supply as an option
- 9-pole DSUB pin/socket or 9-pole DSUB pin/4-pole M8 socket



Mechanical data

Feature	Technical data	Additional information
Cable sheath	PUR	

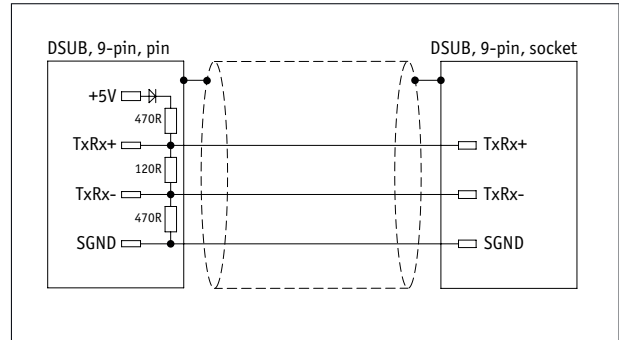
Ambient conditions

Feature	Technical data	Additional information
Ambient temperature	-30 ... 90 °C	

Pin assignment

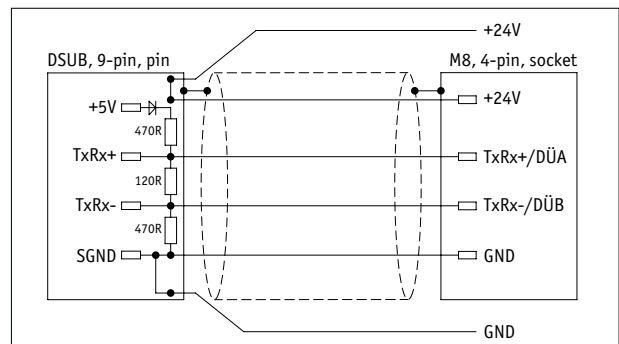
■ 9-pole DSUB socket

Signal	PIN
nc	1
nc	2
nc	3
nc	4
SGND	5
nc	6
nc	7
TxRx+	8
TxRx-	9



■ 4-pole M8 socket

Signal	PIN
TxRx-/DÜB	1
TxRx+/DÜA	2
+UB	3
GND	4



■ Strands

Signal	Color
+24 V	red
GND	black

Order

■ Ordering table

Feature	Ordering data	Specification	Additional information
Cable length L	00.2 A	0.2 m others on request	
Type of connection	DSUB/DSUB DSUB/M8 B	DSUB on DSUB DSUB on M8	
Cable length strands	0 00.5 C	without 0.5 m	

■ Order key

KA485BAS - - -
A B C

Scope of delivery: KA485BAS