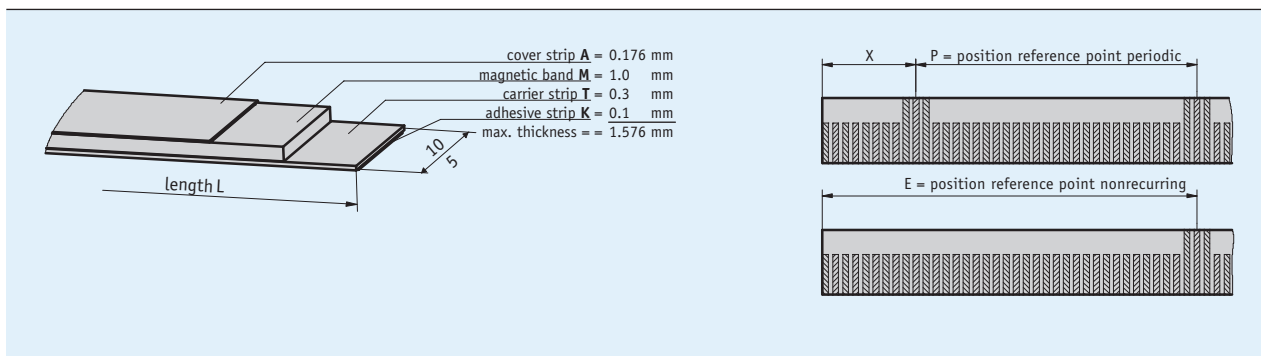
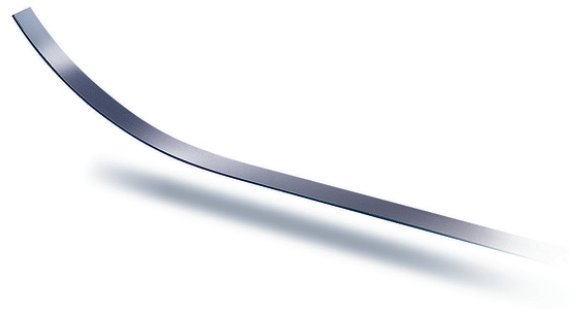


Profile

- Easy adhesive mounting, self-assembly possible
- Reels up to 100 m available
- Linearity deviation up to $\pm 50 \mu\text{m}$



Mechanical data

Feature	Technical data	Additional information
Material	stainless steel	cover strip
Band width	10 mm or 5 mm	
Band thickness	1.4 mm	without cover strip
Mounting type	adhesive connection	premounted double-sided adhesive tape
Accuracy class	50 μm	

■ Measurement table of reference points

Reference points [m]	
Fixed distance X	0.032
Periodic P	0.032, 0.32
Onetime E	0.032, 0.064, 0.096, 0.128, 0.3, 0.32

System data

Feature	Technical data	Additional information
Pole length	3.2 mm	
Linearity deviation	$\pm 50 \mu\text{m}$	at $T_{Uj} = 20^\circ \text{C}$
Measuring range	∞	

Ambient conditions

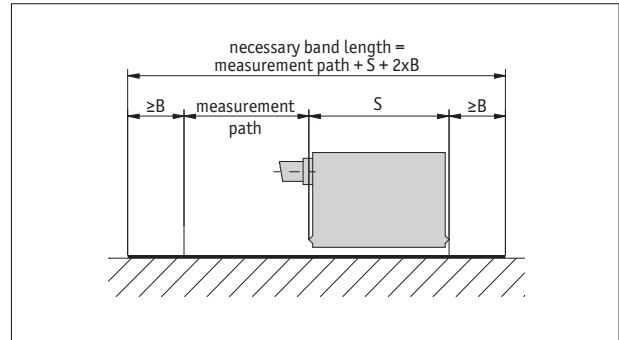
Feature	Technical data	Additional information
Ambient temperature	-20 ... 70 $^\circ\text{C}$	
Storage temperature	-40 ... 70 $^\circ\text{C}$	
Expansion coefficient	$(11 \pm 1) \times 10^{-6}/\text{K}$ $(16 \pm 1) \times 10^{-6}/\text{K}$	spring steel stainless steel
Relative humidity	100 %	condensation admissible

Order

Ordering information

The necessary tape length is calculated from:
 Measured distance + sensor length "S" + (2 x forerun or overrun "B", resp.).

S	see the drawing of the sensor used
B	10 mm (forerun and overrun)



Symbolic representation

Ordering table

Feature	Ordering data	Specification	Additional information
Length	... A	000.10 ... 100.00 m, in intervals of 0.1 m	ordering detail, see "Ordering information"
tapewidth	10 B	in mm	
	5 B	in mm	
Material carrier tape	St C	steel	
	VA C	stainless steel	
Adhesive carrier tape	TM D	with	
	TO D	without	
Cover strip	AM E	with	stainless steel
	AO E	without	
Reference point	O F	without	at width 10 mm optional with flexible reference mark, see accessories
	E F	unique	only with 10 mm width
	P F	periodic	only with 10 mm width
Reference point position	... G	0.032, 0.064, 0.096, 0.128, 0.3, 0.32 in m	indicate only if reference point E is chosen, ≤5.0 m
	... G	0.032, 0.32 in m	indicate only if reference point P is chosen
	... G	others on request	

Order key

MB320/1 - - - - - - -

Scope of delivery: MB320/1

Accessories:

Profile Rail PS
 Protective band SB
 Profile Rail PS1
 Installation tool ZB3054
 Flexible reference mark

www.siko-global.com
www.siko-global.com
www.siko-global.com
www.siko-global.com
 Order key 88434