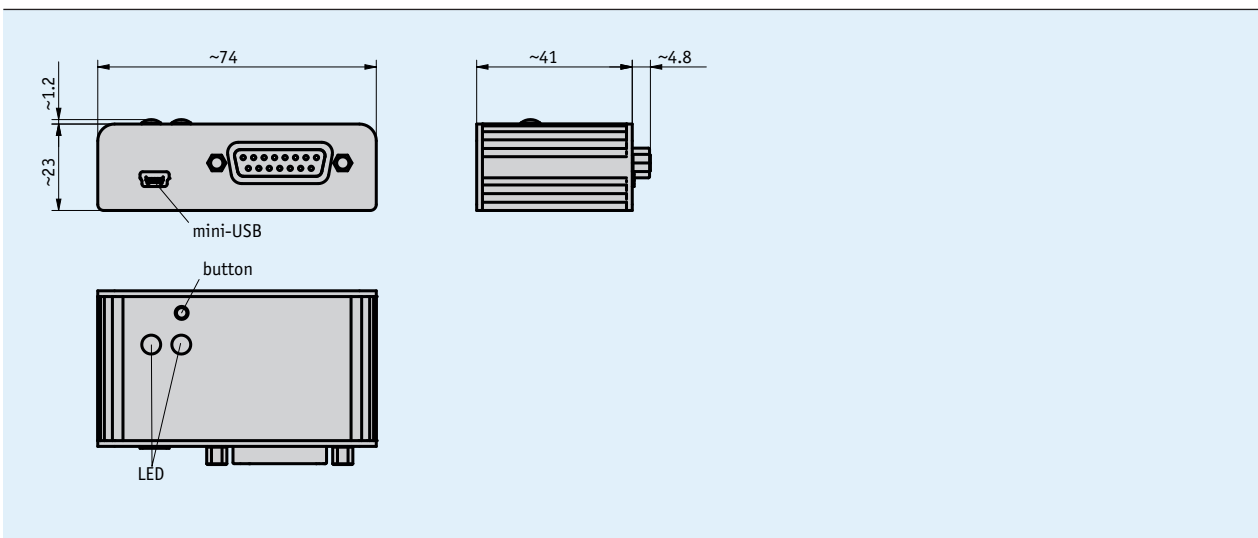


Profile

- sensor alignment
- calibrating the sensor to the optical tape
- verifying sensor signals
- reading position values
- setting reference points
- setting limit switch positions



Mechanical data

Feature	Technical data	Additional information
Housing	Metal	

System data

Feature	Technical data	Additional information
Operating system	Windows 2000, Windows XP, Windows 7	

Ambient conditions

Feature	Technical data	Additional information
Ambient temperature	0 ... 40 °C	
Protection category	IP50	

Order

- **ordering information**

one or more system components are required:

Optical Sensor LSC20

www.siko-global.com

- **Order key**

DT20

*Scope of delivery: Software on CD, USB programming cable,
Connector power pack 110 ... 230 V AC, Mounting instructions on CD*