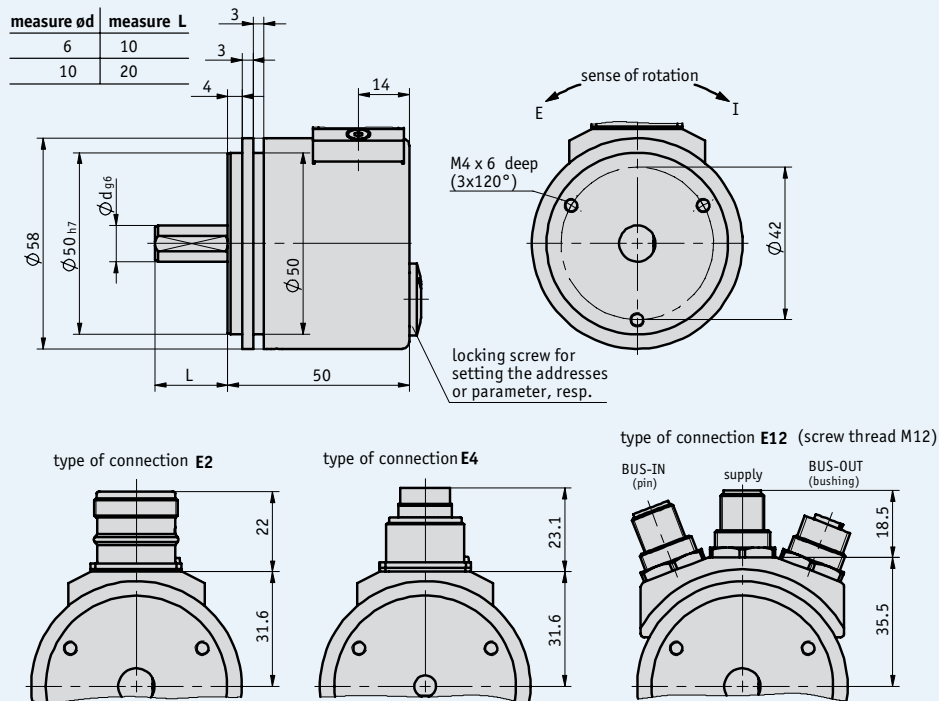


### Profile

- Very compact design
- Robust contactless scanning 12 bit, single-turn
- Standard: SSI output; RS485 and fieldbus as options
- Hood made of sheet steel



2.1



### Mechanical data

Feature	Technical data	Additional information
Max. speed	6000 rpm	
Shaft moment of inertia	$\sim 5 \times 10^{-6} \text{ kgm}^2$	
Starting torque	$\leq 0.01 \text{ Nm}$	at 20 °C
Shaft load rating	radial 80 N axial 40 N	
Weight	$\sim 0.4 \text{ kg}$	
Protection category	IP65	
Operating temperature	-20 ... +100 °C	
Storage temperature	-30 ... +100 °C	
Shock resistance	200 g/6 ms	according to DIN EN 60068-2-27
Vibration resistance	10 g/5 ... 150 Hz	according to DIN EN 60068-2-6
Shaft	stainless steel	
Housing	aluminum and steel	

## Electrical data

Feature					Additional information
Protocol	SIKONETZ-3	SSI	CAN bus CANopen	Profibus PB	
Operating voltage	+10 ... +30 V DC	+10 ... +30 V DC	+10 ... +30 V DC	+10 ... +30 V DC	
Output driver interface	RS485	RS422	CAN high-speed acc. to ISO/DIS 11898	RS485	
Current consumption without load (typical)	~0.4 W	~0.9 W	<1.1 W	<1.1 W	
SSI clock rate		min. 65 kHz (<400 m cable length) max. 1 MHz (<25 m cable length)			
Baud rate (kbit/s)	19.2		125, 250, 500, 1000	9.6, 19.2, 93.75, 187.5, 500, 1500, 3000, 6000, 12000	
Short-circuit resistant outputs	yes	yes	yes	yes	output against output or output against GND in case of short circuit
Inverse-polarity protection on UB	yes	yes	yes	yes	
External calibration input	no	yes	no	no	

## 2.1

### Pin assignment

#### ■ Connector pin assignment E2; SSI interface

Signal	PIN
GND	1
+UB	2
Clock +	3
Clock -	4
Data +	5
Data -	6
RS485 DÜA	10
RS485 DÜB	12
N.C.	7-9, 11

#### ■ Connector pin assignment E2; SSI interface with external calibration input

Signal	PIN
GND	1
+UB	2
Clock +	3
Clock -	4
Data +	5
Data -	6
External calibration input	8
RS485 DÜA	10
RS485 DÜB	12
N.C.	7, 9, 11

#### ■ Connector pin assignment E4; SIKONETZ-3 interface

Signal	PIN
DÜA	1
DÜB	2
GND	3
N.C.	4
+UB	5
N.C.	6-7

#### ■ Connector pin assignment E12; Profibus interface

Signal	Signal	PIN
Profibus-IN	Profibus-OUT	
N.C.	VP (2P5)	1
BUS-A	BUS-A	2
N.C.	DGND (2M)	3
BUS-B	BUS-B	4
N.C.	screen	5

#### ■ Connector pin assignment E12; Can bus interface

Signal	Signal	PIN
CANopen-IN	CANopen-OUT	
N.C.	N.C.	1
N.C.	N.C.	2
CAN_GND	CAN_GND	3
CAN_H	CAN_H	4
CAN_L	CAN_L	5

#### ■ Connector pin assignment E12; Power supply

Power supply	PIN
+UB	1
N.C.	2
GND	3
N.C.	4

### Order

#### Order table

Feature	Order text	Specification	Additional information
Interface/protocol	CAN	CAN bus	CANopen
	PB		
	S3/06	SIKONETZ-3	RS485
	S6/04	SSI	RS422
	S6/04-K	SSI with external calibration input	RS422
Type of connection	E2	connector	for SSI
	E4	connector	for SIKONETZ-3
	E12	connector	for CAN bus or Profibus
Steps per revolution	1024	10 bit	
	4096	12 bit	
Shaft/diameter x length	6x10	∅ 6 mm, length 10 mm	
	10x20	∅ 10 mm, length 20 mm	
Ambient condition	S	condensation not permitted	
	E	condensation permitted	

#### Order code

WV58M -  -  -  - 1 -  -

A      B      C      D      E

**Scope of delivery:** WV58M, User information

#### Accessories:

Mating connectors Page 88  
 Cable extension Page 90  
 Self-aligning coupling Page 94  
 Servo-clamp Page 95  
 Electronic displays MA55, MA10/4 Catalog 6 DisplayLine

#### Additional information:

General information and areas of application Page 8 cont.