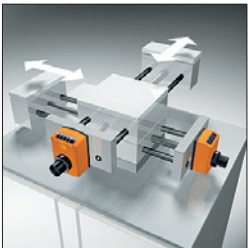
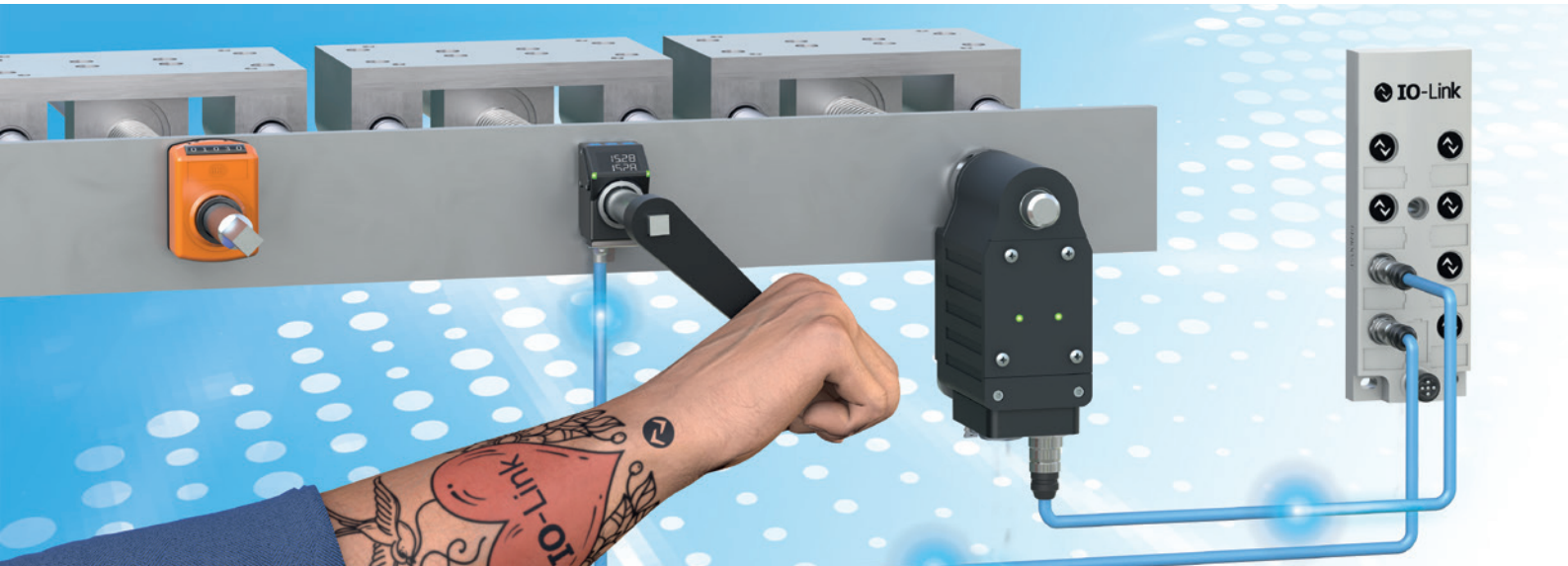


## SIKO | 迅捷尺寸规格更改 Quick Size Changeover



### 三种高效尺寸规格更改解决方案，一个供应商

根据您设备转轴的调节频度，我们能提供三种解决方案，每一种都能带给您效益。

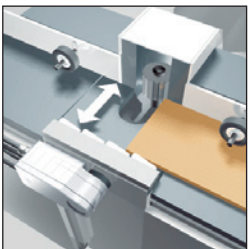
#### 1. 人工调节更改

数字位置指示器为低成本方案提供可靠定位。



#### 2. 监控中调节更改

带总线的位置指示器具有目标/实际值调节和状态显示功能，可以引导人工手动更改操作。



#### 3. 自动化调节更改

紧凑的现场总线型伺服执行器能提供优化的全自动精确定位。

### 3 solutions, 1 supplier for effective changeover

Depending on the adjustment frequency of the spindles on your machine, we offer you three different solutions, each of which has significant benefits:

#### 1. Manual changeover

Digital position indicators for low-cost, reliable positioning.

#### 2. Monitored changeover

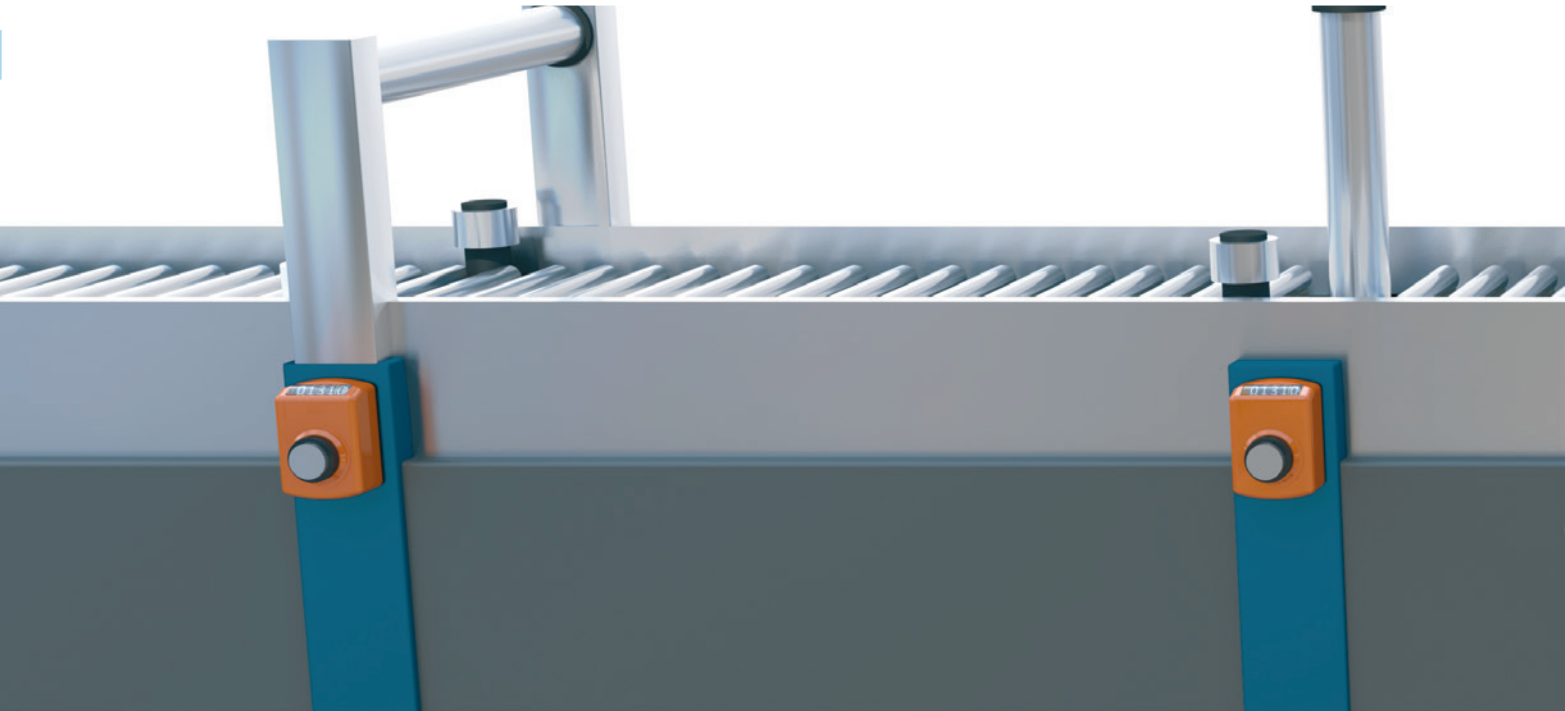
Bus-capable position indicators with target/actual value adjustment and status display for guided manual format change.

#### 3. Automated changeover

Fieldbus compact actuators for process-optimized, precise, fully-automated positioning.

# PositionLine | 人工调节更改

## Manual size changeover



### 机械式/电子式 位置指示器

机械数字式定位指示器注定要用于需要少量尺寸调整的基本机械。

#### 优点

- 低成本，坚固的测量系统
- 清晰，精确的数字显示值
- 显示公制或英制测量值
- 简便的空心轴安装方式
- 可自由设置的基本参数（DE系列）

### Mechanical/Electronic position indicators

Mechanical-digital position indicators are predestined for basic machines with few format changes.

#### Benefits

- Low-cost, robust measurement system
- Clear, precise digital display values
- Display of measured values metrically or in inches
- Easy hollow-shaft mounting
- Basic parameters freely programmable (DE series)



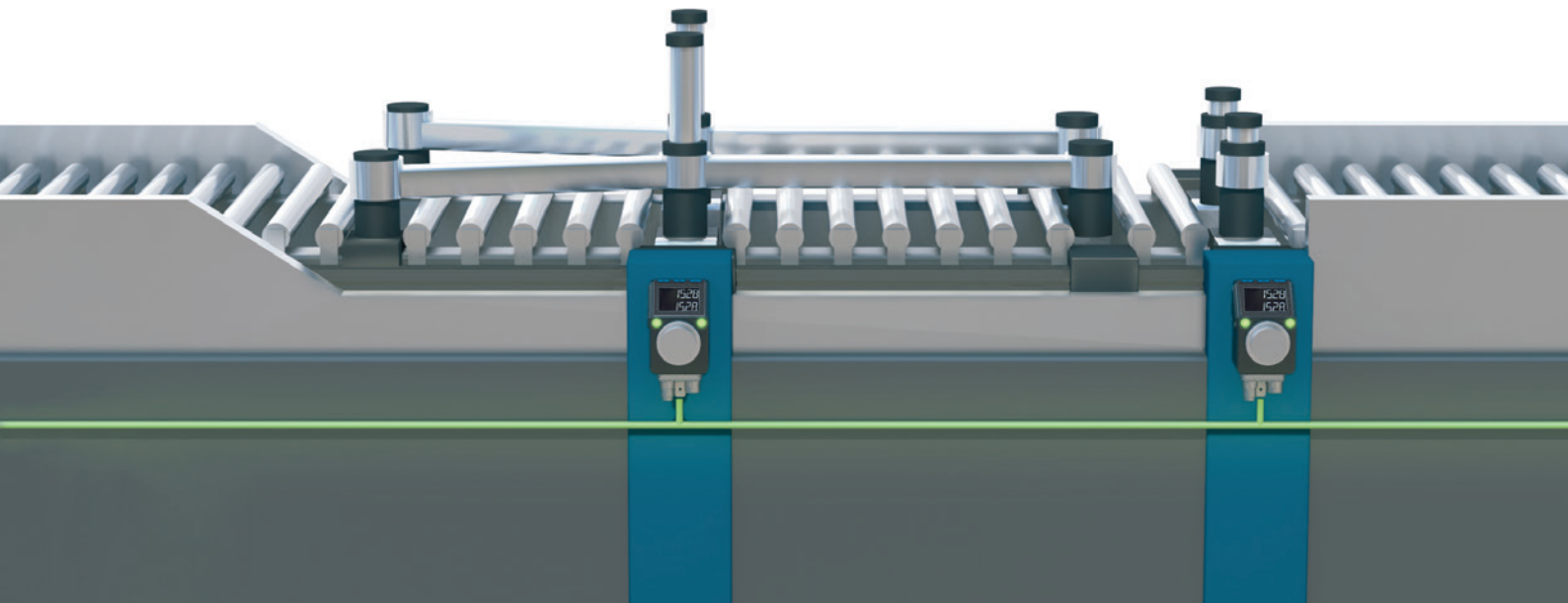
DA09S



DE10

# PositionLine | 监控中调节更改

## Monitored size changeover



### 电子式，总线兼容的位置指示器

用于转轴和直接线性滑块单元。它适用于每日更多的尺寸规格调整并且通过集成的理论值/实际值调准可提高质量标准。

### Electronic, bus-capable position indicators

For spindles and direct linear slide units. They are suitable where there are several changeovers per day and enhance the standard of quality thanks to integrated target/actual value adjustment

### 优点

- 双行LCD指示用于理论和实际位置
- 通过红/绿LED灯进行光学状态指示
- 基础参数可自由编程
- 高过程安全性和可重复性

### Benefits

- Two-line LC display for target and actual position
- Optical status display via red/green LED
- Basic parameters freely programmable
- High process safety and reproducibility

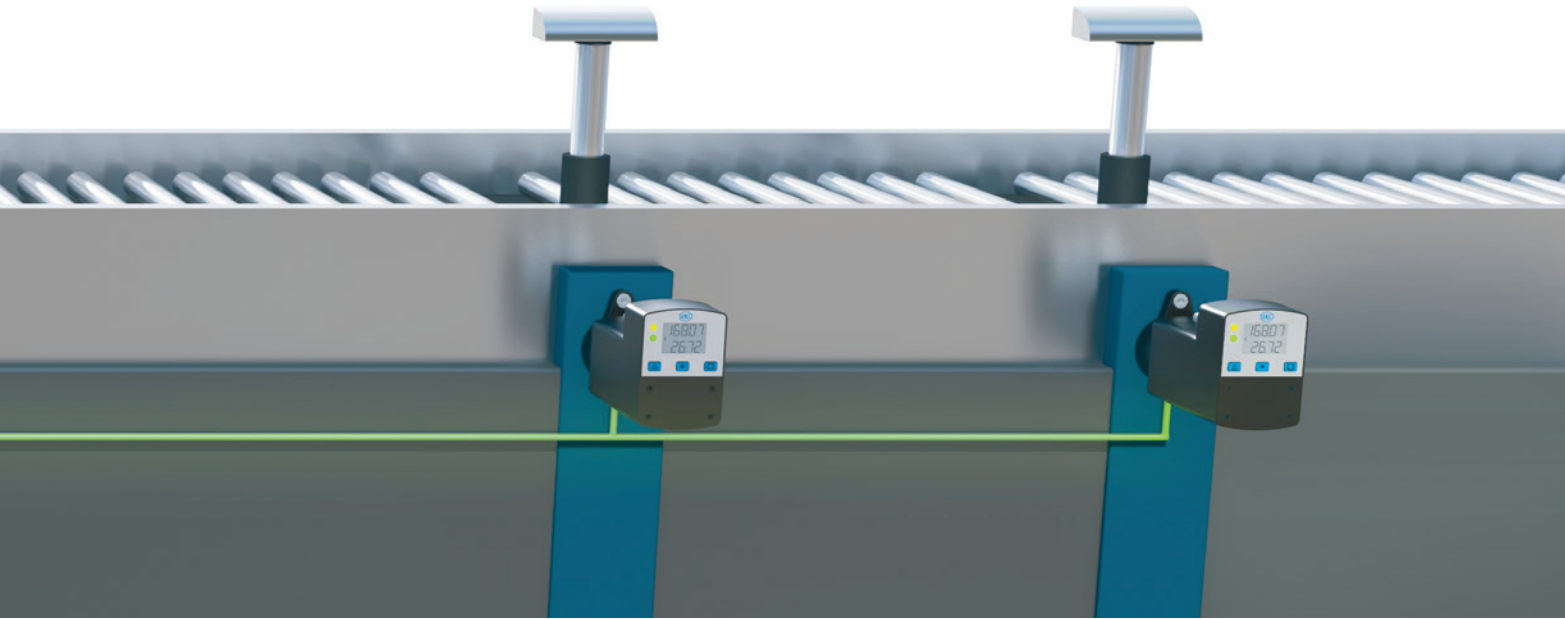


应用视频  
Application Video



# DriveLine | 自动化尺寸规格调整

## Automatic size changeover



### 紧凑式位置驱动器

自动化的现场总线-紧凑式位置驱动器特别适用于繁多的尺寸规格调整和对高品质的要求。

### 优点

- 灵活的机械方案
- 周期以及改换时间短
- 生产率和质量高
- 组装和安装成本非常低
- 调试速度快
- 高可靠性，免维护。

### Compact actuators

Automated fieldbus compact actuators are ideal for frequent changeovers and high quality requirements.

### Benefits

- Flexible machine design concept
- Short cycle and changeover times
- High productivity and quality
- Minimal installation and mounting effort
- Quick setup
- High availability, maintenance-free



PROFI  
BUS

PROFI  
NET

CANopen

EtherCAT

ETHERNET  
POWERLINK

EtherNet/IP  
ODVA

SIKONET5  
RS485



应用视频

Application Video

### 智能化联网工作 - 柔性使用

带上一个灵巧的路由器，无论是Profinet, Ethernet/IP, EtherCAT还是SERCOS网络，你就可以将我们带总线通讯功能的位置指示器和伺服执行器简单地联网运行，性价比可观，能组成多达16个现场总线或工业以太网网络。

### SIKO 简便的触摸屏控制ETC5000(2)

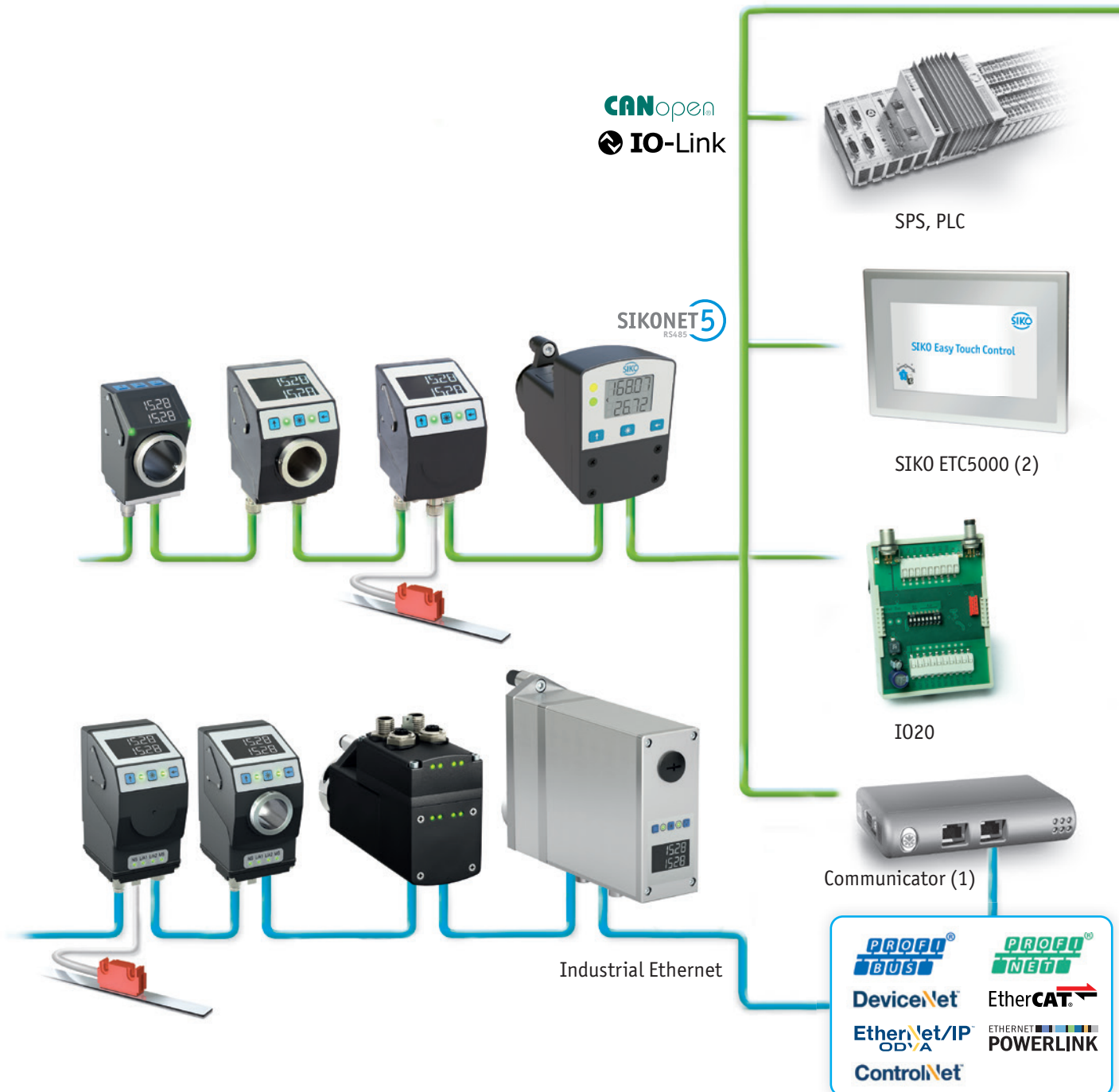
一个完整的系统源自一个单独的来源！利用简便的触屏控制，我们通过总线兼容位置指示器和伺服执行器提供给您一个独立的控制系统。直观的用户界面使得操作如同孩童游戏。。

### Intelligent networking - flexible use

Whether Profinet, Ethernet/IP, EtherCAT or SERCOS - with a smart communicator (1) solution you can connect our bus-capable position indicators and actuators simply and cost-effectively to up to 16 fieldbus or Industrial Ethernet Networks.

### SIKO Easy Touch Control ETC5000 (2)

A complete system from a single source! With the SIKO Easy Touch Control we offer you a stand-alone control system for bus-capable SIKO position indicators and actuators. The intuitive user interface makes operation child's play!



## 兼容的安装尺寸

SIKO的DA09S, AP05, AP10位置指示器和AG05, AG06伺服执行器是可以被组合和机械互换的。(兼容的安装尺寸)

这对于您,一个设备制造商意味着一个巨大的获益! 您可以分别配置您设备的自动化等级并为您的客户提供一个他们期盼的解决方案。我们的紧凑型伺服执行器安装在众多轴需要被频繁调节的场合是最理想的, 同时低成本的位置指示器可被用于不常被调节的定位轴上。

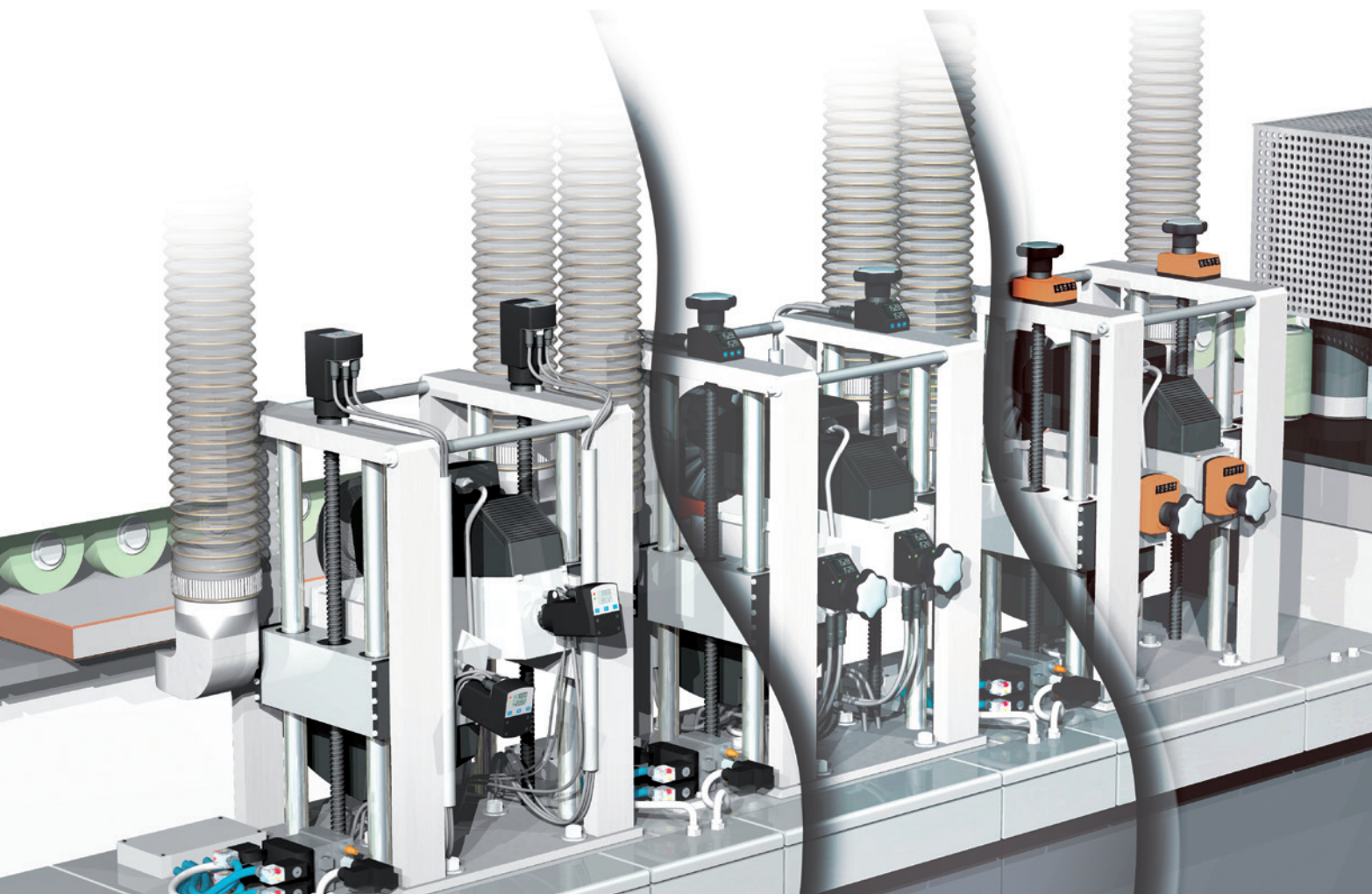
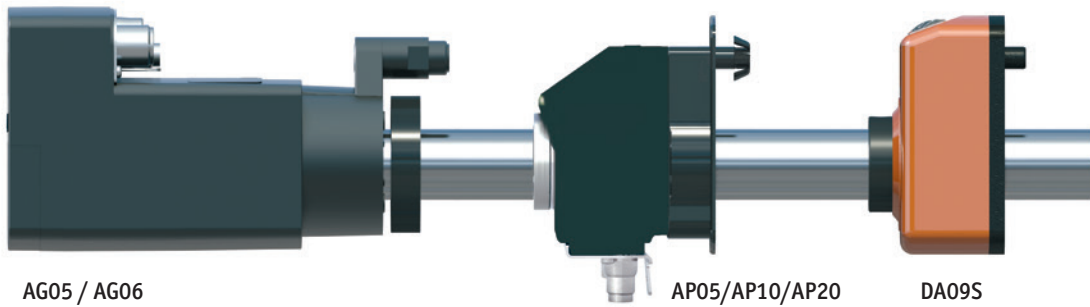
设备配置升级是任何时候都会发生的。要点: 所有这三种产品都有一个相同的空心轴直径和相似特征的安装轮廓。

## Compatible mounting dimensions

The DA09S, AP05, AP10 SIKO position indicators and the compact AG05, AG06 actuators are combinable and mechanically interchangeable (compatible mounting dimensions).

This means an enormous advantage for you as a machine manufacturer! You can configure the automation level of your machine individually and offer your customers a solution to suit their wishes. Our compact actuators are ideal for installing on axes which need frequent adjustment, while low-cost position indicators can be used to position axes which rarely need adjusting.

Retrofitting is also possible at all times. The crucial point: All three devices have the same hollow-shaft diameter and quasi identical mounting contours.





## 特点排列表 | Advantage matrix



### 工程 | Engineering

设置 Setup	++	+	0
安装尺寸兼容性 Compatible mounting dimensions	++	++	+ / ++
通孔空心轴 Through hollow shaft	++	++	+ / ++
非接触式测量 Contactless measuring system	0	++	++
数据再现性 Reproducibility	0	++	++
现场总线兼容性 Fieldbus-compatible	0	++	++
系统精度 System accuracy	0	+	++

### 性价比 | Cost effectiveness

工艺优化性 Process optimization	0	+	++
投入成本经济性 Initial cost	++	+	0
后续追加成本经济性 Amortisation	0	+	++

0 = 满意/无关联性, + = 好, ++ = 非常好

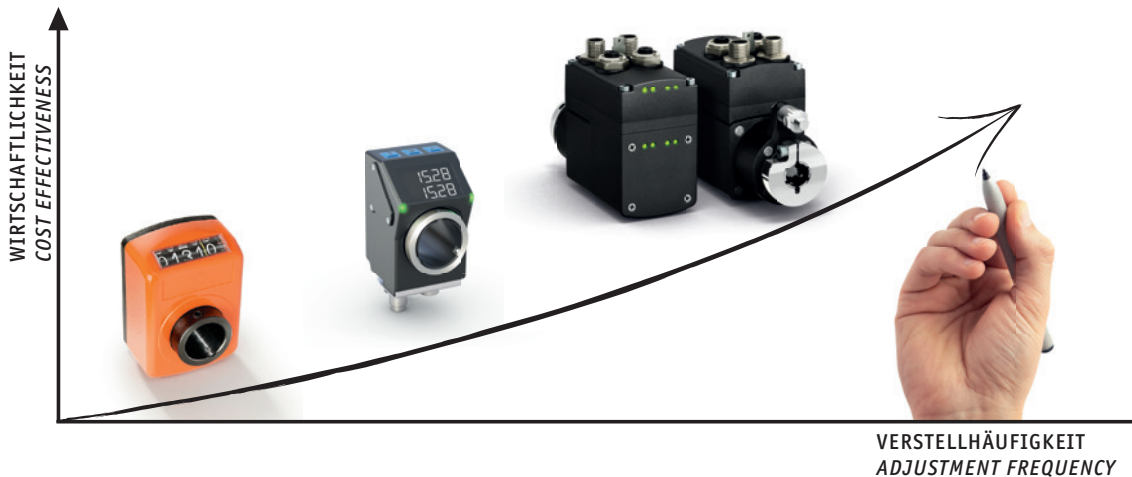
0 = satisfactory/not applicable, + = good, ++ = very good

## 通过减少停机时间提高了设备使用效率

质量要求越高，轴的定位就越频繁，为了更高的生产力和盈利采用监控或者自动化定位方案。

## Greater machine efficiency through reduced downtimes

The higher the quality requirements and the more often an axis has to be positioned, the greater the productivity and profits will be using a monitored or automated positioning solution.



VERSTELLHÄUFIGKEIT  
ADJUSTMENT FREQUENCY

## 我们始终伴随着您

### 无论是在德国...

您正在寻找一个就近的代理商吗？我们的网站能帮助您。在 [www.siko-global.com](http://www.siko-global.com)，您就能按您的邮政编码找到目前在德国本地的SIKO代理商联系人信息。或者就打我们的电话，我们能告诉您所需要的联系人信息。

### ... 还是在世界各地

SIKO的分公司和代理商遍布全球。在 [www.siko-global.com](http://www.siko-global.com)，您能找到您所在区域的SIKO合作伙伴。

## We are always there for you.

### Whether locally ...

Are you looking for an agency near you? Our website will help you. At [www.siko-global.com](http://www.siko-global.com) you will find current contact data of a local German SIKO agency via your postal code. Or just call us and we will give you the contact data you need.

### ... or internationally.

Subsidiaries and agents all over the world represent SIKO. At [www.siko-global.com](http://www.siko-global.com) you will also find a SIKO partner in your area.



### 总部:

 **SIKO GmbH**  
Weihermattenweg 2  
79256 Buchenbach

Am Krozinger Weg 2  
79189 Bad Krozingen

### Phone

+49 7661 394-0

### Fax

+49 7661 394-388

### E-Mail

[info@siko-global.com](mailto:info@siko-global.com)

### 中国子公司:

 **SIKO International Trading (Shanghai) Co., Ltd.**

 **SIKO Products Inc.**

 **SIKO Italia S.r.l.**

 **SIKO Magline AG**

 **SIKO Products Asia Pte. Ltd.**

[www.siko-global.com](http://www.siko-global.com)

Stay up to date! Follow us at „SIKO-global“

