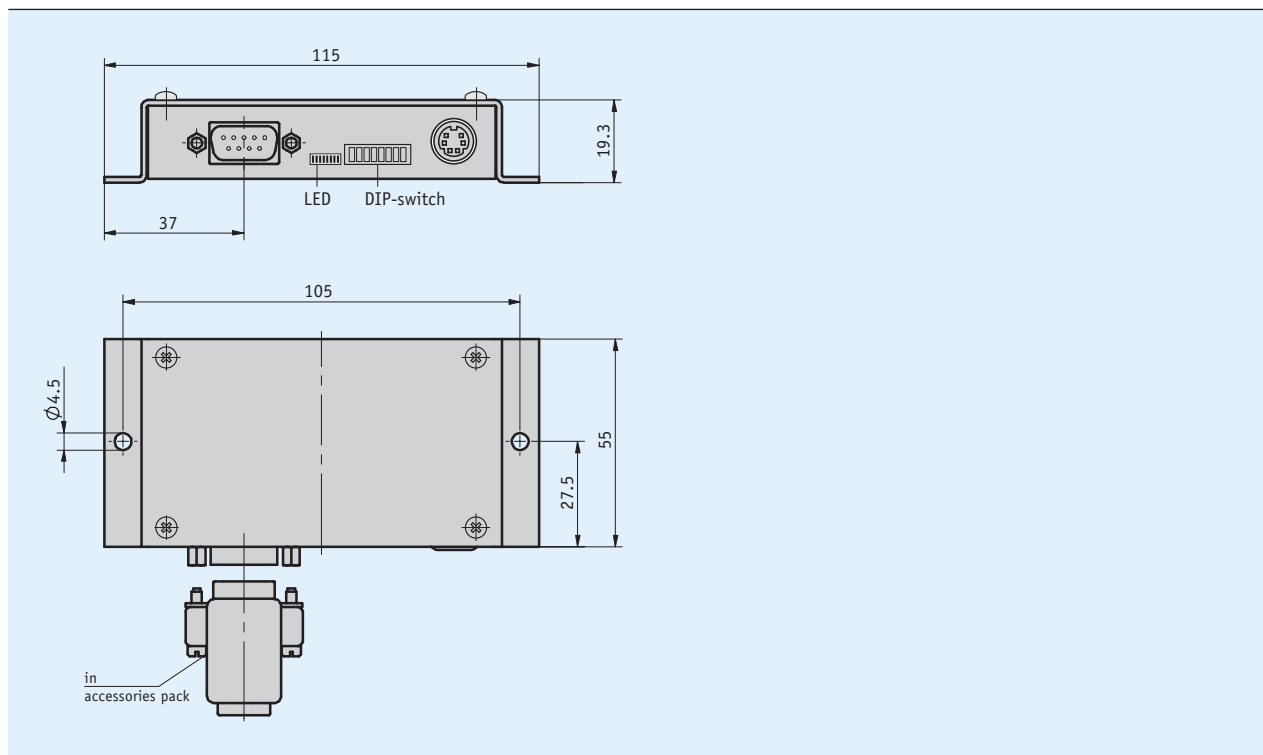


Profile

- Parameters adjustable via DIP switches
- Resolution up to 5 μm
- Reference signal with intervals of 5 mm
- Works with sensor MS500



Mechanical data

Feature	Technical data	Additional information
Housing	steel sheet	electrogalvanized

Electrical data

Feature	Technical data	Additional information
Operating voltage	24 V DC $\pm 20\%$ 5 V DC $\pm 5\%$	reverse polarity protected no reverse polarity protection
Current consumption	<70 mA	
Output circuit	PP, LD (RS422)	switchover via DIP switches
Output signals	A, A/, B, B/, 0, 0/	
Real-time requirement	speed-proportional signal output	
Type of connection	D-Sub mini-DIN	9-pole (supply and signal output) 6-pole socket (sensor)

System data

Feature	Technical data	Additional information
Resolution	5, 10, 20, 25, 50, 100 µm	with quadruple evaluation selectable via DIP switch
System accuracy	$\pm(0.025 + 0.01 \times L)$ mm, L in m	at $T_{ij} = 20$ °C (with MB500 and 0.05 mm accuracy class)
Repeat accuracy	± 1 increment(s)	
Travel speed	≤ 20 m/s	sensor

Ambient conditions

Feature	Technical data	Additional information
Ambient temperature	0 ... 70 °C	
Storage temperature	-20 ... 70 °C	
Relative humidity	≤ 95 %	condensation inadmissible
EMC	EN 61000-6-2	interference resistance / immission
	EN 61000-6-4	emitted interference / emission
Protection category	IP40	EN 60529

Pin assignment

Signal	PIN
A	1
A/	2
GND (for output signal)	3
B	4
B/	5
0	6
0/	7
+UB	8
GND (for supply)	9

Order

Ordering information

one or more system components are required:

Magnetic sensor MS500

www.siko-global.com

Ordering table

Feature	Ordering data	Specification	Additional information
Operating voltage	4	24 V DC	reverse polarity protected
	5	5 V DC	no reverse polarity protection

Order key

AS510/1 -

Scope of delivery: AS510/1, User information